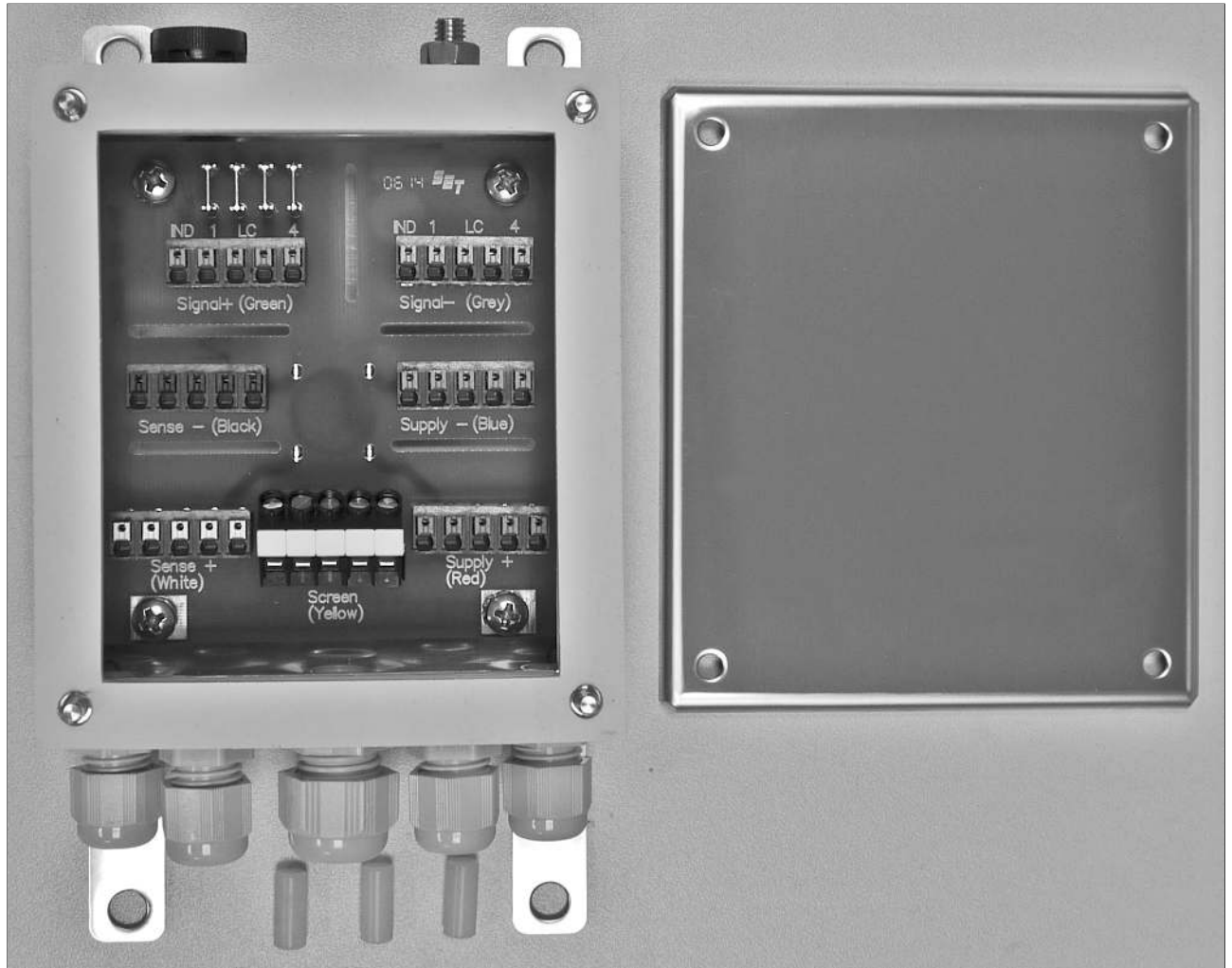


**Installation Manual**

**Cable Junction Box PR 6130/35S**



## **Foreword**

### **Must be followed!**

Any information in this document is subject to change without notice and does not represent a commitment on the part of Minebea Intec unless legally prescribed. This product should only be operated/installed by trained and qualified personnel. In correspondence concerning this product, the type, name, and release number/serial number as well as all license numbers relating to the product have to be cited.

### **Note**

This document is partially protected by copyright. It may not be changed or copied, and it may not be used without purchasing or written permission from the copyright owner (Minebea Intec). The use of this product constitutes acceptance by you of the abovementioned provisions.

## Table of contents

<b>1</b>	<b>Introduction</b>	<b>3</b>
1.1	Read the manual	3
1.2	This is what operating instructions look like	3
1.3	This is what lists look like	3
1.4	This is what menu items and softkeys look like	3
1.5	This is what the safety instructions look like	3
1.6	Hotline	4
<b>2</b>	<b>Safety instructions</b>	<b>5</b>
2.1	General notes	5
2.2	Intended use	5
2.3	Initial inspection	6
2.4	Before operational startup	6
2.5	Repairs and maintenance	6
2.5.1	General information	6
<b>3</b>	<b>Specifications</b>	<b>7</b>
3.1	Equipment supplied	7
3.2	Technical Data	8
3.3	Electromagnetic Compatibility (EMC)	8
3.4	Dimensions	9
<b>4</b>	<b>Installation and connection information</b>	<b>10</b>
4.1	General information	10
4.2	Terminals and jumpers	10
4.3	Connecting load cells with a 6-wire cable	11
4.4	Connecting load cells with a 4-wire cable	11
4.5	Cable gland	12
<b>5</b>	<b>Cable connections</b>	<b>13</b>
5.1	General information	13
5.2	Connecting cables	13
5.3	Cable connections	13
5.4	Equipotential bonding conductor	14
5.5	Electronic corner correction	15
5.5.1	General information	15
5.5.2	Procedure	16
<b>6</b>	<b>Maintenance/repairs/soldering work/cleaning</b>	<b>17</b>
6.1	Maintenance	17
6.2	Repairs	17
6.3	Soldering work	17

6.4	Cleaning .....	17
<b>7</b>	<b>Disposal .....</b>	<b>18</b>
<b>8</b>	<b>Appendix .....</b>	<b>19</b>
8.1	Certificates.....	19

# 1 Introduction

## 1.1 Read the manual

- Please read this manual carefully and completely before using the product.
- This manual is part of the product. Keep it in a safe and easily accessible location.

## 1.2 This is what operating instructions look like

1. - n. are placed before steps that must be done in sequence.
  - ▶ is placed before a step.
  - ▷ describes the result of a step.

## 1.3 This is what lists look like

- indicates an item in a list.

## 1.4 This is what menu items and softkeys look like

[ ] frame menu items and softkeys.

**Example:**

[Start]- [Applications]- [Excel]

## 1.5 This is what the safety instructions look like

Signal words indicate the severity of the danger involved when measures for preventing hazards are not followed.

### **DANGER**

#### **Warning of personal injury**

DANGER indicates death or severe, irreversible personal injury which will occur if the corresponding safety measures are not observed.

- ▶ Take the corresponding safety precautions.

### **WARNING**

#### **Warning of hazardous area and/or personal injury**

WARNING indicates that death or severe, irreversible injury may occur if appropriate safety measures are not observed.

- ▶ Take the corresponding safety precautions.

### **CAUTION**

#### **Warning of personal injury.**

CAUTION indicates that minor, reversible injury may occur if appropriate safety measures are not observed.

- ▶ Take the corresponding safety precautions.

**NOTICE****Warning of damage to property and/or the environment.**

NOTICE indicates that damage to property and/or the environment may occur if appropriate safety measures are not observed.

- ▶ Take the corresponding safety precautions.
- 

**Note:**

User tips, useful information, and notes.

---

## 1.6 Hotline

Phone: +49.40.67960.444

Fax: +49.40.67960.474

eMail: [help@minebea-intec.com](mailto:help@minebea-intec.com)

## 2 Safety instructions

### 2.1 General notes

#### CAUTION

##### Warning of personal injury.

The product was in perfect condition with regard to safety features when it left the factory.

- To maintain this condition and to ensure safe operation, the user must follow the instructions and observe the warnings in this manual.

### 2.2 Intended use

The cable junction box is designed for tank and hopper weighing applications.

It cannot be operated in potentially explosive atmospheres.

Product operation, commissioning and maintenance must be performed by trained and qualified personnel who are aware of and able to deal with the related hazards and take suitable measures for self-protection.

The device reflects the state of the art.

The manufacturer does not accept any liability for damage caused by third-party system components or due to incorrect use of the product. The use of this product signifies recognition of the stipulations listed above.

The following table shows the load cells that should and should not be used for different applications.

Load cells to be used	Load cells not to be used
PR 6201/..L, /..N, /..D1, /..C3, /..C4, /..C5, /..C6	PR 6201/..LE, /..LA, /..NE, /..D1E, /..C3E, /..C4E, /..C5E, /..C6E
PR 6201/..NDB, /..LDB	PR 6201/..NDBE, /..LDBE
PR 6202/..C1, /..C3, /..C4	PR 6202/..C1E, /..C3E, /..C4E
Inteco®/..D1, /..C3, /..C6	Inteco®/..D1E, /..C3E, /..C6E
	PR 6204 Pendeo® Process
PR 6207/..D1, /..C3	
PR 6211/..D1	
PR 6212/..C1, /..LT	PR 6212/..C1E
	PR 6221/.., all types
	PR 6224 Pendeo® Truck
PR 6241/..D1, /..C3, /..C6	PR 6241/..D1E, /..C3E, /..C6E
Contego®/..D1, /..C3	Contego®/..D1Ex, /..C3Ex
PR 6246/..D1, /..C3, /..C6	PR 6246/..D1E, /..C3E, /..C6E
PR 6251/..L	PR 6251/..LE, /..LA, /..LAC
Novego®/..D1, /..C3	Novego®/..D1E, /..C3E

Load cells to be used	Load cells not to be used
MP 55/..C3MR+	MP 55/..C3MR+E
MP 58(T)/..C3MR	MP 58(T)/..C3MR E
PR 40/..C3MR	
PR 43/..C3MR	
PR 47/..C3MR	
PR 76/..N, /..C3	
MP 77/..C3MR	MP 77/..C3MR E
MP 79(T)/..C3MR	MP 79(T)/..C3MR E

## 2.3 Initial inspection

Check the contents of the consignment for completeness. Check the contents visually to determine whether any damage has occurred during transport. If there are grounds for rejection of the goods, a claim must be filed with the carrier immediately. The Minebea Intec sales or service organization must also be notified.

## 2.4 Before operational startup

### NOTICE

#### Perform visual inspection.

- ▶ Before operational startup as well as after storage or transport, inspect the device visually for signs of mechanical damage.

## 2.5 Repairs and maintenance

### 2.5.1 General information

Repairs are subject to inspection and must be carried out at Minebea Intec.

In case of defect or malfunction, please contact your local Minebea Intec dealer or service center for repair.

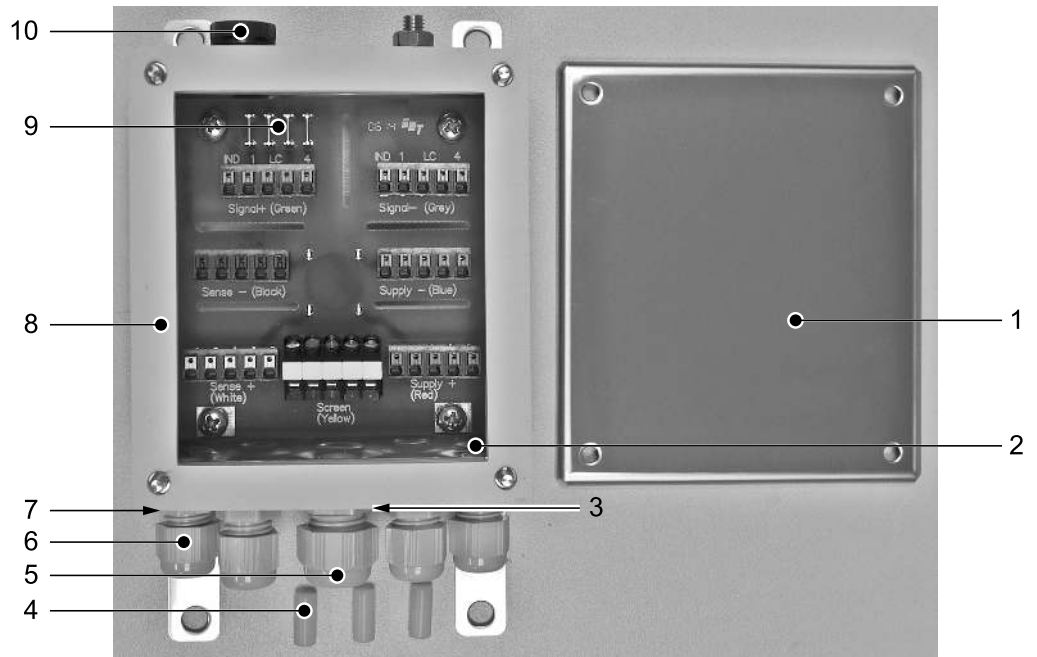
When returning the device for repair, please include a precise and complete description of the problem.

Maintenance work may only be carried out by a trained technician with expert knowledge of the hazards involved and the required precautions.



## 3 Specifications

### 3.1 Equipment supplied



No.	Description
1	Cover
2	Box incl. electronics
3	Sealing ring for M16
4	Locking pin 6 mm (3x)
5	Cable gland M16
6	Cable gland M12 (4x)
7	Sealing ring for M12 (4x)
8	Gasket
9	Jumpers for corner correction resistors
10	Pressure compensation element
The following items are not shown:	
11	Drilling template
12	Quick guide

### 3.2 Technical Data

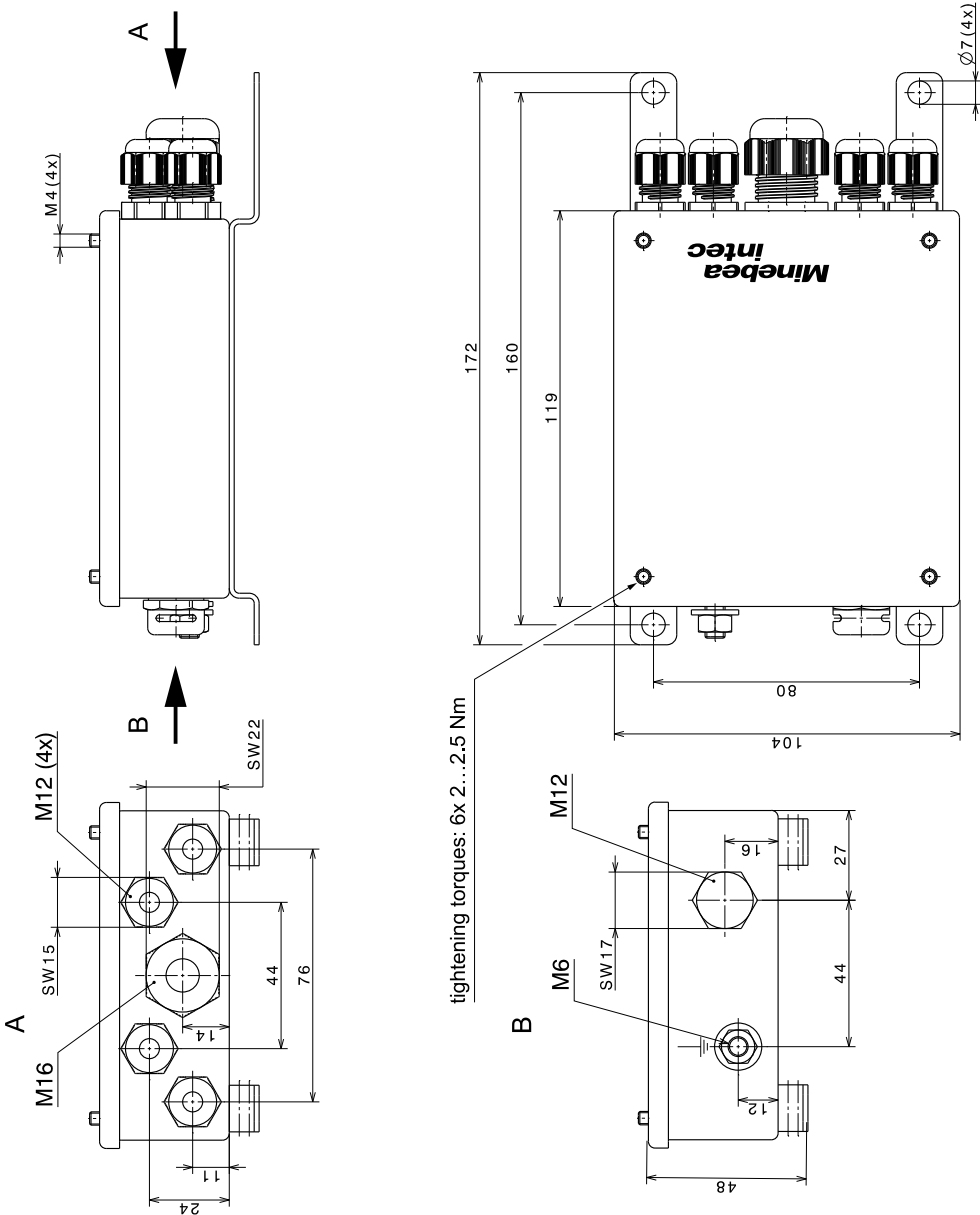
Protection classes	per DIN EN 60529 <b>IP68, IP69:</b> Dust-proof and leak-proof against water, with harmful effects when immersed, (0.5 m water depth, 1,000 h) and water jets (high pressure and temperature).
Installation position	Cable entry from below
Quantity of load cells	1...4
Clamping area screw connection M12	3...6 mm
Clamping area screw connection M16	5...10 mm
Pressure equalization	Plastic pressure equalization element
Material of the junction box	High-grade stainless steel 1.4301 (X5CrNi 18-10) according to EN 10088-3, AISI 304, JIS SUS304
Surface of the junction box	2R according to DIN EN 10088-2 (cold-rolled, bright annealed, flat, blank, reflective)
Net weight	0.56 kg
Shipping weight	0.81 kg
Service temperature area	-30 °C...+80 °C
Storage temperature range	-30 °C...+80 °C
Cable screw connections	Plastic cable screw connections
Insulation impedance (in service temperature range at 95% air humidity and $U_{DC} = 500$ V)	>1000 M $\Omega$

### 3.3 Electromagnetic Compatibility (EMC)

All data in compliance EN 61326 industrial section

Housing	High frequency electromagnetic fields (80...3000 MHz)	EN 61000-4-3	10 V/m
	Electrostatic discharge (ESD)	EN 61000-4-2	6/8 kV
Signal and control lines	Fast transients (burst)	EN 61000-4-4	1 kV
	Peak voltages (surge) 1.2/50 $\mu$ s	EN 61000-4-5	1 kV
	Conducted disturbances by high frequency coupling (0.15...80 MHz)	EN 61000-4-6	10 V

### 3.4 Dimensions



tightening torques: 6x 2...2.5 Nm

all dimensions in mm

## 4 Installation and connection information

### 4.1 General information

- Only use the cable glands provided by the manufacturer.
- Install the junction box so that the cable glands are on the bottom.
- Do not open the junction box when connected to the voltage supply.

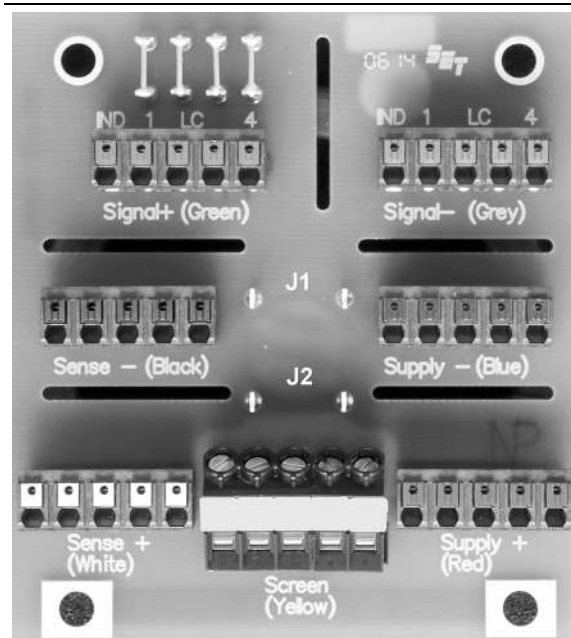
---

**Note:**

At ambient temperatures  $>45^{\circ}\text{C}$ , cables that are suitable for at least  $85^{\circ}\text{C}$  must be used.

---

### 4.2 Terminals and jumpers



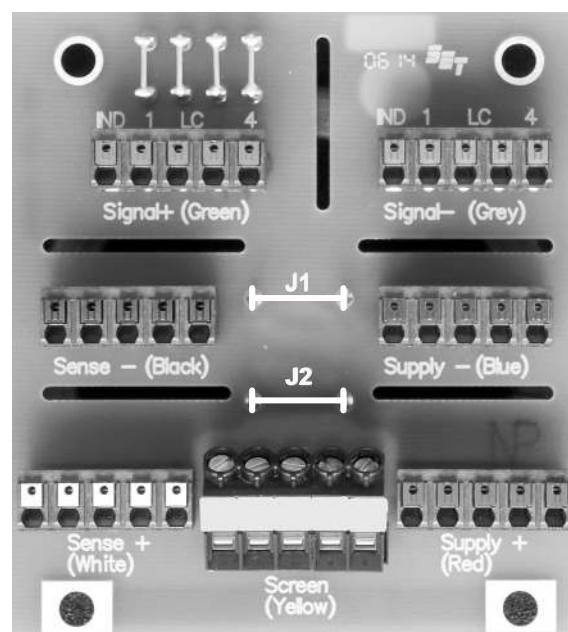
Signal +	green	Terminal contacts 1-4	+ measuring voltage (load cells)
		Terminal contact IND	+ measuring voltage (connection cable)
Signal -	gray	Terminal contacts 1-4	- measuring voltage (load cells)
		Terminal contact IND	- measuring voltage (connection cable)
Supply -	blue	Terminal contacts 1-4	- supply voltage (load cells)
		Terminal contact IND	- supply voltage (connection cable)
Sense -	black	Terminal contacts 1-4	- sense (load cells)

		Terminal contact IND	- sense (connection cable)
Sense +	white	Terminal contacts 1-4	+ sense (load cells)
		Terminal contact IND	+ sense (connection cable)
Supply +	red	Terminal contacts 1-4	+ supply voltage (load cells)
		Terminal contact IND	+ supply voltage (connection cable)
Screen	yellow	Terminal contacts 1-4	Screen (load cells)
		Terminal contact IND	Screen (connection cable)
J1		Jumper	Connects the load cell supply line to the sense line. Both jumpers must be opened when 6-wire load cell cables are used.
J2		Jumper	

### 4.3 Connecting load cells with a 6-wire cable

Upon delivery, jumpers J1 and J2 are open between terminals "Sense -/Supply -" and "Sense +/Supply +"; this means that the junction box is prepared for load cells with 6-wire cables; see Chapter 4.2.

### 4.4 Connecting load cells with a 4-wire cable



If the junction box will be used for load cells with 4-wire cables, jumpers J1 and J2 must be soldered in between terminals "Sense -/Supply -" and "Sense +/Supply +."

## 4.5 Cable gland

The cable glands each have one sealing ring.

The cables have to be fed into the device via glands to ensure leak-tightness. The following cable diameters are suitable: 5...10 mm for gland M16 and 3...6 mm for cable gland M12.

The cable wires are connected to the terminals inside the device.

### **NOTICE**

**Property damage is possible.**

- ▶ If a seal insert is not used, it must be sealed with a supplied locking pin.

### **NOTICE**

**Property damage is possible.**

- ▶ Regularly check the fitted cable gland for tightness and re-tighten it, if necessary.

## 5 Cable connections

### 5.1 General information

In order to use the junction boxes for load cells with 4-wire cables, jumpers J1 and J2 must be soldered in; see Chapter [4.2](#).

Cable entry must be from below.

Fit the wires and screen of the connection cable with wire end ferrules as per DIN 46228-1:

- 0.5 mm<sup>2</sup> for green, gray, black, and white
- 0.75 mm<sup>2</sup> for blue and red

This is not necessary for the load cell cables.

Connect the wires to the terminals according to the color coding .

Connect the screens on the other side of the connection cable with the equipotential bonding terminal of the downstream device (see instrument manual) as described in Chapters [5.3](#) and [5.4](#).

### 5.2 Connecting cables

To connect the junction box to the device, connection cable PR 6135/.. must be used; max. length: 300 m.

### 5.3 Cable connections

---

**Note:**

All components are only shown schematically.

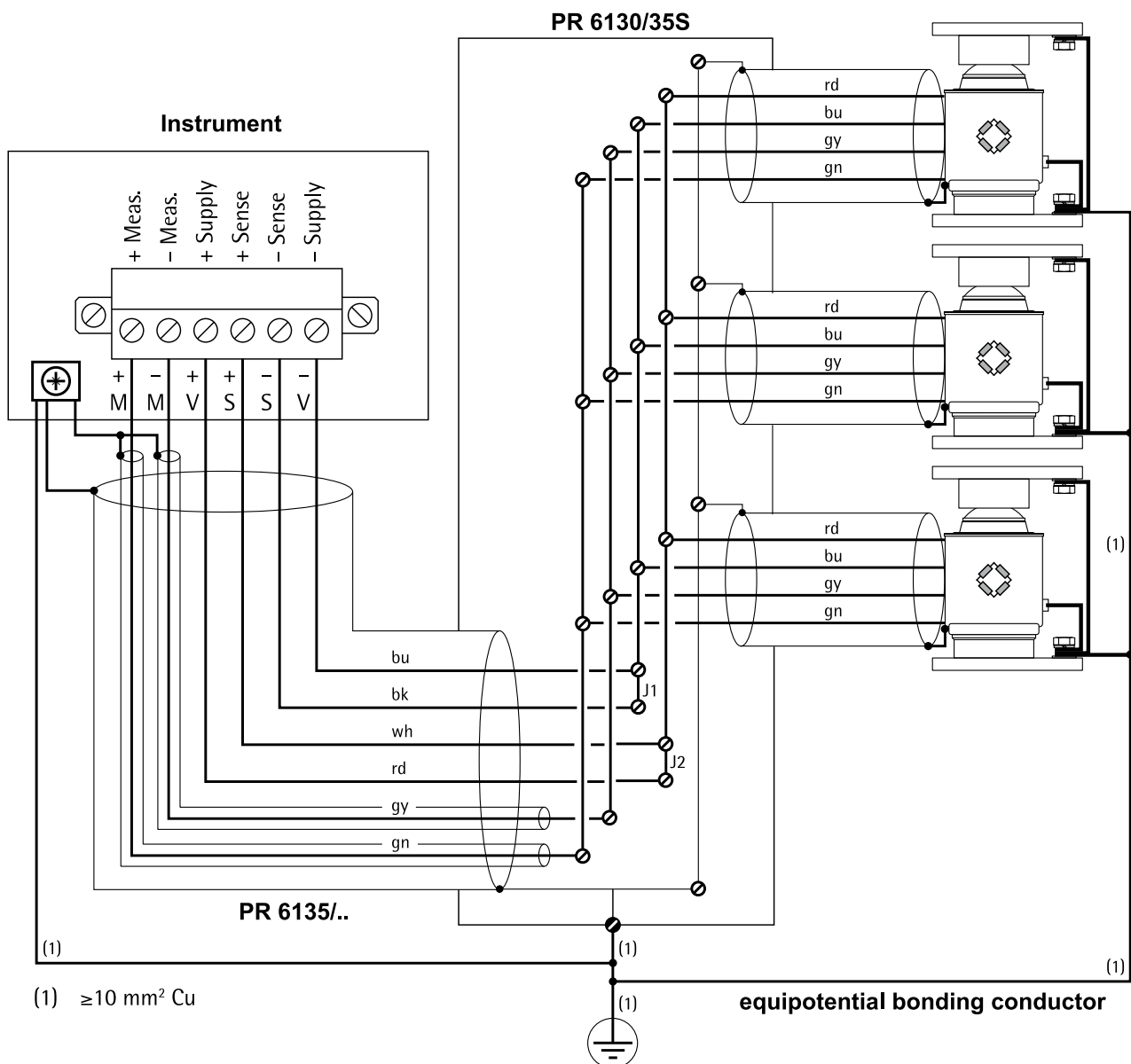
---

**Color code**

---

bk	=	black
bu	=	blue
gn	=	green
gy	=	gray
rd	=	red
wh	=	white

---



## 5.4 Equipotential bonding conductor

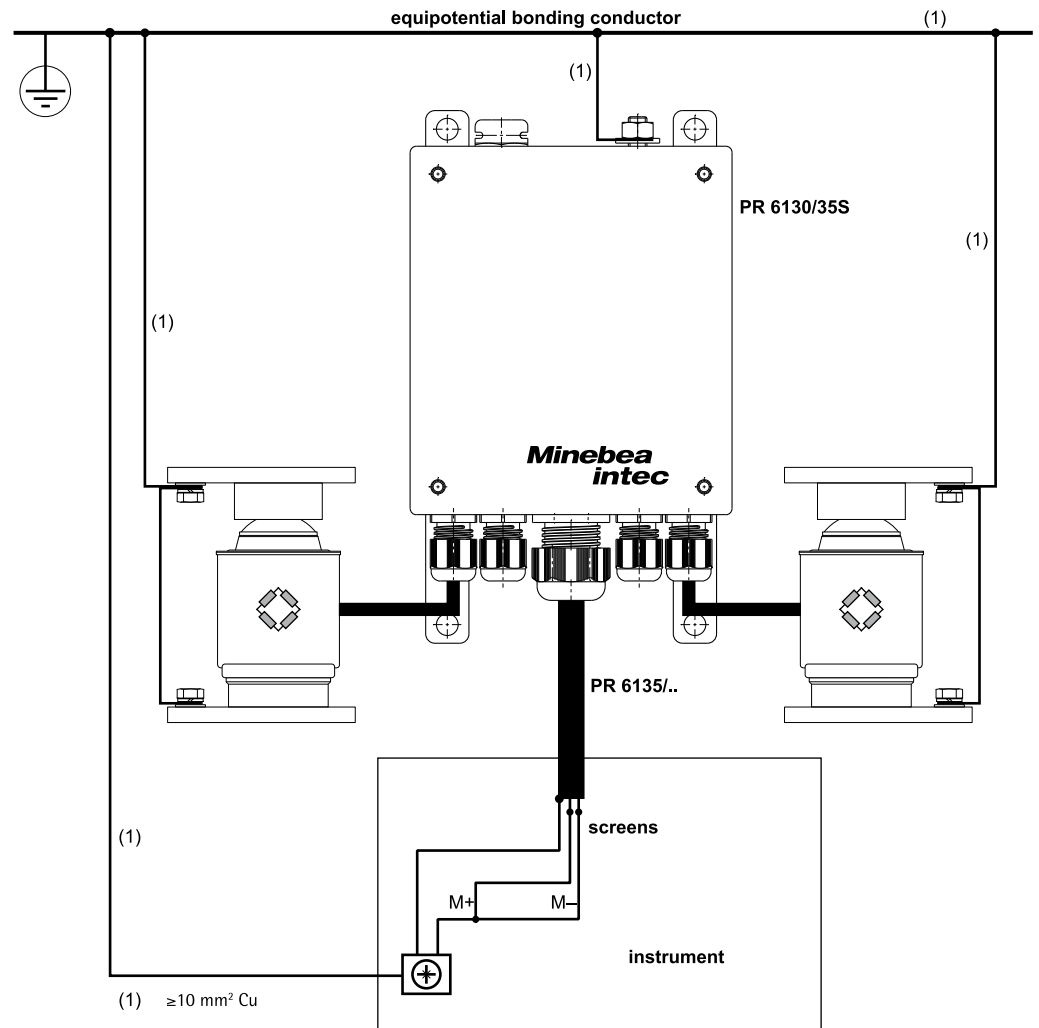
### NOTICE

**It is especially important that the ground is connected correctly to the components and the cable junction box.**

You must also ground the device separately and ensure the power supply is properly shielded against the effects of lightning. Simply connecting the protective grounding conductor is not enough!

- If the installation is not carried out according to our instructions, this voids the warranty. In particular, the entire installation, including the power supply, must be sufficiently protected against lightning.





## 5.5 Electronic corner correction

### 5.5.1 General information

Minebea Intec load cells are produced according to high quality standards and have precisely adjusted output values.

Nonetheless, mechanical imbalances can cause impermissible corner load errors to arise, which will need to be offset by soldering in resistors.

The correct installation and accurate alignment of load cells are imperative for good measurement results and significantly affect the behavior with corner loads. Therefore, the installation and alignment of the load cell should always be checked first if a corner error is identified.

If necessary, carry out mechanical height adjustment (see Installation manual of the load cell).

**NOTICE****Loss of calibration accuracy**

An unstable signal can arise due to contact problems. This results in fluctuating zero points, which lead to the loss of calibration accuracy.

- ▶ Do not use a potentiometer.
- ▶ Only use resistors of 0–5.62 Ω (1%, P70 = 0.6 W) of size MBB0207 (approx. 2.5 × 6.5 mm) or CECC B.

**5.5.2 Procedure**

Electronic corner correction allows the sensitivity of each individual load cell to be reduced separately.

The resistor required here can be calculated using the following formula:

$$R = \left( \frac{\text{Weight}_{\text{act}}}{\text{Weight}_{\text{set point}}} - 1 \right) \cdot R_0$$

R	Resistor integrated in the output circuit of the load cell (the resistance value is normally <7 Ω).
Weight <sub>actual</sub>	Weight value on the display
Weight <sub>set point</sub>	Weight of the placed load
R <sub>0</sub>	Output resistance of the load cell

**Example:**

placed load	12,000 kg
Display	12,052 kg
R <sub>0</sub>	1010 Ω (see Installation manual of the load cell)
Calculated resistance	4.38 Ω

The following steps are necessary to minimize corner load errors:

1. Select the load cell with the lowest displayed load as the reference cell.
2. In the junction box, remove the jumper from the relevant measurement cable (Signal +) and solder in a resistor according to the abovementioned formula (in the example 4.38 Ω).

This aligns the load cells with the displayed value of the reference cell.

**Note:**

The soldering studs are factory short-circuited for the resistances.

3. After that, recalibrate the scale.

## 6 Maintenance/repairs/soldering work/cleaning

### 6.1 Maintenance

Maintenance work may only be carried out by a trained technician with expert knowledge of the hazards involved and the required precautions.

### 6.2 Repairs

Repairs are subject to inspection and must be carried out at Minebea Intec.

In case of defect or malfunction, please contact your local Minebea Intec dealer or service center for repair.

When returning the device for repair, please include a precise and complete description of the problem.

### 6.3 Soldering work

Soldering work is permitted on the device for corner correction.

### 6.4 Cleaning

#### **NOTICE**

#### **Property damage caused by unsuitable cleaning utensils/agents.**

Damage to the device.

- ▶ Prevent moisture from penetrating the interior.
- ▶ Do not use aggressive cleaning agents (solvents or similar agents).
- ▶ For use in the food industry, use a cleaning agent suitable for that particular working environment.
- ▶ Use soft sponges, brushes and cloths.

1. Unplug device from mains supply, disconnect any data cables.
2. Clean the device with a cloth lightly moistened with a soap solution.
3. Wipe down the device with a soft, dry cloth after cleaning.

## 7 Disposal

If the packaging is no longer required, please take it to your local waste disposal facility and/or a reputable disposal company or collection point. The packaging largely consists of environmentally friendly materials which can be used as secondary raw materials.

It is not permitted—even for small businesses—to dispose of this product with the regular household waste or at collection points run by local public waste disposal companies.

EU legislation requires its Member States to collect electrical and electronic equipment and dispose of it separately from other unsorted municipal waste so that it can then be recycled.

Before disposing of or scrapping the product, any batteries should be removed and taken to a suitable collection point.

Please see our T&Cs for further information.

Service addresses for repairs are listed in the product information supplied with the product and on our website ([www.minebea-intec.com](http://www.minebea-intec.com)).

We reserve the right not to accept products that are contaminated with hazardous substances (ABC contamination) for repair.

Should you have any further questions, please contact your local service representative or our service center.

Minebea Intec GmbH

Repair center

Meiendorfer Strasse 205 A

22145 Hamburg, Germany

Phone: +49.40.67960.666

[service.HH@minebea-intec.com](mailto:service.HH@minebea-intec.com)

## 8 Appendix

### 8.1 Certificates

<b>Ser. no.</b>	<b>Description</b>	<b>Document no.</b>
1	EU-Declaration of Conformity	MEU17042
2	Declaration of Conformity	MDC17005



MEU17042

# EU-Declaration of Conformity



1. Product model / product number / solely valid for project number:

Cable Junction Box / PR 6130 / ----

2. Name and address of the manufacturer (2.1) and his authorized representative (2.2):

2.1 Minebea Intec GmbH, Meiendorfer Straße 205 A, 22145 Hamburg, Germany

2.2 /

3. This declaration of conformity is issued under the sole responsibility of the manufacturer.

4. Object(s) of the declaration:

4.1 PR 6130/0\_\_ , PR 6130/3\_\_

4.2 PR 6130/6\_\_

5. The object(s) of the declaration described above is in conformity with the relevant Union harmonization legislation:

(4.1) (4.2)

5.1 2014/30/EU (6.1) (6.1)

5.2 2011/65/EU (6.2) (6.2)

5.3 2014/34/EU (6.3)

6. References to the relevant harmonized standards used or references to the other technical specifications in relation to which conformity is declared:

6.1 2014/30/EU : EN 61326-1:2013, EN 61000-4-20:2010

6.2 2011/65/EU EN 50581:2012

6.3 2014/34/EU EN 60079-0:2012+A11:2013, EN 60079-11:2012, EN 60079-15:2010, EN 60079-26:2015, EN 60079-31:2014

7. The notified body w performed x and issued the certificate y relevant for z:

	w	x	y	z
7.1	0344	EC-Type Examination Certificate	DEKRA 13ATEX0133 X	(4.2)
7.2	0102	Production Quality Assessment Notification	PTB 02 ATEX Q010	(4.2)

Minebea Intec GmbH  
Hamburg, 29. May. 2017

Dr. Bodo Krebs  
President

Oliver Freitag  
CE Certification


Kay v.d. Heydt  
Ex Approval Manager



# EU-Declaration of Conformity



## A. Additional information on ( ):

A.1	(4.2)	Marking		II 1G Ex ia IIC T6/T4 Ga II 1D Ex ia IIIC T90°C Da II 2D Ex tb IIIC T50°C/T70°C Db II 3G Ex nA IIC T6 Gc
A.2	(6.3)	The above-mentioned product is in line with the requirements of the directive 2014/34/EU. One or more of the European Standards mentioned are already replaced by new editions. The manufacturer declares that the product also complies with these new editions, as the changed requirements of the new Standards do not affect the product.		



MEU17042

## EU-Declaration of Conformity



български (bg)	čeština (cs)	dansk (da)
<p>Декларация за съответствие</p> <p>1. Модел на продукта / Номер на продукта / валидно само за номера на проекта:</p> <p>2. Наименование и адрес на производителя (2.1) и на неговия упълномощен представител (2.2):</p> <p>3. Настоящата декларация за съответствие е издадена на отговорността на производителя.</p> <p>4. Предмет(и) на декларацията:</p> <p>5. Предметът (ите) на декларацията, описан(и) по-горе отговаря(т) на съответното законодателство на Съюза за хармонизация:</p> <p>6. Позоване на използваните хармонизирани стандарти или позоваване на други технически спецификации, по отношение на които се декларира съответствие:</p> <p>7. Нотифицираният орган в извърши х и издаде сертификата у, отнасящ се за з:</p> <p>A. Допълнителна информация за ( ):</p> <p>A.1 Маркировка</p> <p>A.2 Горепосоченият продукт съответства на изискванията на Директива 2014/34/ЕС. Един или повече от упоменатите европейски стандарти вече са заменени от нови издания. Производителът декларира, че продуктът съответства и на тези нови издания, тъй като променените изисквания на новите стандарти не засягат продукта.</p>	<p>Prohlášení o shodě</p> <p>1. Model výrobku / číslo výrobku / platné pouze pro číslo projektu:</p> <p>2. Jméno a adresa výrobce (2.1) a jeho zplnomocněného zástupce (2.2):</p> <p>3. Toto prohlášení o shodě se vydává na výhradní odpovědnost výrobce.</p> <p>4. Předmět(y) prohlášení:</p> <p>5. Výše popsaný předmět / Výše popsané předměty prohlášení je/jsou ve shodě s příslušnými harmonizačními právními předpisy Unie:</p> <p>6. Odkazy na příslušné harmonizované normy, které byly použity, nebo na jiné technické specifikace, na jejichž základě se shoda prohlašuje:</p> <p>7. Oznamovaný subjekt v provedl x a vydal certifikát y relevantní z hlediska z:</p> <p>A. Další informace o ( ):</p> <p>A.1 Označení</p> <p>A.2 Výše uvedené výrobek je v souladu s požadavky směrnice Evropského parlamentu a Rady 2014/34/EU. Jedna nebo více uvedených evropských norem již byly nahrazeny novými vydáními. Výrobce prohlašuje, že výrobek je v souladu i s těmito novými vydáními, neboť upravené požadavky těchto nových norem nemají na výrobek vliv.</p>	<p>Overensstemmelseserklæring</p> <p>1. Produktmodel / produktnummer / gælder kun for projektnummer:</p> <p>2. Fabrikantens (2.1) og dennes bemyndigede repræsentants (2.2) navn og adresse:</p> <p>3. Denne overensstemmelseserklæring udstedes på fabrikantens ansvar.</p> <p>4. Genstand(ene) for erklæringen:</p> <p>5. Genstand(ene) for erklæringen, som beskrevet ovenfor, er i overensstemmelse med den relevante EU-harmoniseringslovgivning:</p> <p>6. Referencer til de relevante anvendte harmoniserede standarder eller til de andre tekniske specifikationer, som der erklæres overensstemmelse med:</p> <p>7. Det bemyndigede organ w har foretaget x og udstedt attesten y, der gælder for z:</p> <p>A. Supplerende oplysninger om ( ):</p> <p>A.1 Mærkning</p> <p>A.2 Ovenstående produkt opfylder kravene i direktiv 2014/34/EU. En eller flere af de anførte europæiske standarder er allerede blevet erstattet af nye udgaver. Fabrikanten erklærer, at produktet også er i overensstemmelse med de nye udgaver, idet de ændrede krav i de nye standarder ikke berører produktet.</p>
Deutsch (de)	Ελληνικά (el)	español (es)
<p>Konformitätserklärung</p> <p>1. Produktmodell / Produktnummer / gilt ausschließlich für Projekt-Nr.:</p> <p>2. Name und Anschrift des Herstellers (2.1) und seines Bevollmächtigten (2.2):</p> <p>3. Die alleinige Verantwortung für die Ausstellung dieser Konformitätserklärung trägt der Hersteller.</p> <p>4. Gegenstände der Erklärung:</p> <p>5. Die oben beschriebenen Gegenstände der Erklärung erfüllen die einschlägigen Harmonisierungsrechtsvorschriften der Union:</p> <p>6. Angabe der einschlägigen harmonisierten Normen oder der anderen technischen Spezifikationen, die der Konformitätserklärung zugrunde gelegt wurden:</p> <p>7. Die notifizierte Stelle w hat x und die für z relevante Bescheinigung y ausgestellt:</p> <p>A. Zusatzangaben zu ( ):</p> <p>A.1 Kennzeichnung</p> <p>A.2 Das oben genannte Produkt erfüllt die Anforderungen der Richtlinie 2014/34/EU. Mindestens eine der aufgeführten europäischen Normen ist bereits durch eine neue Ausgabe ersetzt worden. Der Hersteller erklärt, dass das Produkt mit diesen neuen Ausgaben ebenfalls konform ist, da die geänderten Anforderungen der neuen Normen das Produkt nicht betreffen.</p>	<p>Δήλωση συμμόρφωσης</p> <p>1. Μοντέλο προϊόντος / αριθμός προϊόντος / ισχύει μόνο για τον αριθμό του έργου:</p> <p>2. Όνομα και διεύθυνση του κατασκευαστή (2.1) και του εξουσιοδοτημένου αντιπροσώπου του (2.2):</p> <p>3. Η παρούσα δήλωση συμμόρφωσης εκδίδεται με αποκλειστική ευθύνη του κατασκευαστή.</p> <p>4. Στόχος της δήλωσης:</p> <p>5. Ο στόχος της δήλωσης που περιγράφεται παραπάνω είναι σύμφωνος με τη σχετική ενωσιακή νομοθεσία εναρμόνισης:</p> <p>6. Παραπομπές στα σχετικά εναρμονισμένα πρότυπα που χρησιμοποιήθηκαν ή παραπομπές στις λοιπές τεχνικές προδιαγραφές σε σχέση με τις οποίες δηλώνεται η συμμόρφωση:</p> <p>7. Ο κοινοποιημένος οργανισμός w διεξήγγε x και εξέδωσε το πιστοποιητικό y όπως απαιτείται για z:</p> <p>A. Πρόσθετες πληροφορίες σχετικά με ( ):</p> <p>A.1 Σήμανση</p> <p>A.2 Το προαναφερθέν προϊόν συμμορφώνεται με τις απαιτήσεις της οδηγίας 2014/34/ΕΕ. Ένα ή περισσότερα από τα αναφερόμενα ευρωπαϊκά πρότυπα έχουν αντικατασταθεί ήδη από νέες εκδόσεις. Ο κατασκευαστής δηλώνει ότι το προϊόν συμμορφώνεται επίσης με τις εν λόγω νέες εκδόσεις, καθώς οι τροποποιημένες απαιτήσεις των νέων προτύπων δεν επηρεάζουν το προϊόν.</p>	<p>Declaración de conformidad</p> <p>1. Modelo de producto/número de producto / únicamente válido para el número de proyecto:2.</p> <p>Nombre y dirección del fabricante (2.1) y de su representante autorizado (2.2):</p> <p>3. La presente declaración de conformidad se expide bajo la exclusiva responsabilidad del fabricante.</p> <p>4. Objeto(s) de la declaración:</p> <p>5. El/Los objeto(s) de la declaración descritos anteriormente son conformes con la legislación de armonización pertinente de la Unión Europea:</p> <p>6. Referencias a las normas armonizadas pertinentes utilizadas o referencias a las otras especificaciones técnicas respecto a las cuales se declara la conformidad:</p> <p>7. El organismo notificado W ha efectuado X y expedido el certificado Y relevante para Z:</p> <p>A. Información adicional en ( ):</p> <p>A.1 Marcado</p> <p>A.2 El producto mencionado anteriormente cumple con los requisitos de la directiva 2014/34/UE. Una o más de las normas europeas mencionadas ya se han substituido por nuevas ediciones. El fabricante declara que el producto también cumple con estas nuevas ediciones, ya que los requisitos modificados de las nuevas normas no afectan al producto.</p>





# EU-Declaration of Conformity

MEU17042



eesti keel (et)	français (fr)	hrvatski (hr)
<p>Vastavusdeklaratsioon</p> <p>1. Tootemudel / tootenumber / kehtib vaid järgmise projekti puhul:</p> <p>2. Tootja nimi ja aadress (2.1) ning tema volitatud esindaja (2.2):</p> <p>3. Käesolev vastavusdeklaratsioon on välja antud tootja ainuvastutusel.</p> <p>4. Deklareeritav toode:</p> <p>5. Ülalkirjeldatud deklareeritav toode on kooskõlas asjaomaste liidu ühtlustamisaktidega:</p> <p>6. Viited kasutatud harmoneeritud standarditele või viited muudele tehnilistele spetsifikatsioonidele, millele vastavust deklareeritakse:</p> <p>7. Teavitatud asutus w teostas x ja andis välja tõendi z, mis on asjakohane y-le:</p> <p>A. Lisateave järgmise kohta ( ):</p> <p>A.1 Märgistus</p> <p>A.2 Ülalmainitud toode on kooskõlas direktiivi 2014/34/EL nõuetega. Üks või mitu nimetatud Euroopa standardit on asendatud juba uute väljaannetega. Tootja kinnitab, et toode on kooskõlas ka nende uute väljaannetega, kuna uute standardite muudetud nõuded ei mõjuta toodet.</p>	<p>Déclaration de conformité</p> <p>1. Modèle / numéro de produit / valable uniquement pour le numéro de projet:</p> <p>2. Nom et adresse du fabricant (2.1) et de son mandataire (2.2) :</p> <p>3. La présente déclaration de conformité est établie sous la seule responsabilité du fabricant.</p> <p>4. Objet(s) de la déclaration :</p> <p>5. Le ou les objets de la déclaration décrite ci-dessus est/sont conforme(s) à la législation d'harmonisation de l'Union applicable :</p> <p>6. Références des normes harmonisées pertinentes appliquées ou des autres spécifications techniques par rapport auxquelles la conformité est déclarée :</p> <p>7. L'organisme notifié w a effectué x et a établi l'attestation y applicable à z :</p> <p>A. Informations complémentaires relatives à ( ) :</p> <p>A.1 Marquage</p> <p>A.2 Le produit susmentionné est conforme aux exigences de la directive 2014/34/UE. Une ou plusieurs des normes européennes mentionnées ont déjà été remplacées par de nouvelles éditions. Le fabricant déclare que le produit est également conforme à ces nouvelles éditions, dans la mesure où les exigences modifiées des nouvelles normes n'affectent pas le produit.</p>	<p>Izjava o sukladnosti</p> <p>1. Model proizvoda / broj proizvoda / vrijedi samo za broj projekta:</p> <p>2. Naziv i adresa proizvođača (2.1) i njegovog ovlaštenog zastupnika (2.2):</p> <p>3. Za izdavanje ove izjave o sukladnosti odgovoran je isključivo proizvođač.</p> <p>4. Predmet(i) izjave:</p> <p>5. Predmet(i) navedene izjave je/su u skladu s mjerodavnim zakonodavstvom Unije o uskladjivanju:</p> <p>6. Pozivanja na relevantne primjenjene usklađene norme ili pozivanja na ostale tehničke specifikacije u vezi s kojima se izjavljuje sukladnost:</p> <p>7. Prijavljeno tijelo w provelo je x i izdalo certifikat y koji je relevantan za z:</p> <p>A. Dodatne informacije o proizvodu ( ):</p> <p>A.1 Označavanje</p> <p>A.2 Prethodno navedeni proizvod u skladu je sa zahtjevima Direktive 2014/34/EU. Jedna ili više navedenih europskih normi već je zamijenjeno novim izdanjima. Proizvođač izjavljuje da je proizvod u skladu i s tim novim izdanjima, jer se izmijenjeni zahtjevi tih novih normi ne odnose na proizvod.</p>
magyar (hu)	italiano (it)	Latvių kalba (lt)
<p>Megfelelőségi nyilatkozat</p> <p>1. Termékmodell / termékszám / kizárólag az alábbi projektszámhoz érvényes:</p> <p>2. A gyártó (2.1) vagy adott esetben meghatalmazott képviselőjének (2.2) neve és címe:</p> <p>3. Ezt a megfelelőségi nyilatkozatot a gyártó kizárólagos felelőssége mellett adják ki.</p> <p>4. A nyilatkozat tárgya(i):</p> <p>5. A fent ismertetett nyilatkozat tárgya megfelel a vonatkozó uniós harmonizációs jogszabályoknak:</p> <p>6. Az alkalmazott harmonizált szabványokra való hivatkozás vagy az azokra az egyéb műszaki leírásokra való hivatkozás, amelyekkel kapcsolatban megfelelőségi nyilatkozatot tettek:</p> <p>7. A(z) w bejelentett szervezet elvégezte a(z) x eljárást, és kiállította a(z) z kapcsolódó y tanúsítványát:</p> <p>A. További információk ( ):</p> <p>A.1 Jelölés</p> <p>A.2 A fentebb megnevezett termék megfelel a 2014/34/EU irányelvben foglalt követelményeknek. Egy vagy több említett Európai szabvány a kiállítás óta frissült. A gyártó kijelenti, hogy a termék megfelel a szabványok legújabb kiadásában foglalt követelményeknek, mivel a szabvány módosításai nem érintik az adott terméket.</p>	<p>Dichiarazione di conformità</p> <p>1. Modello di prodotto / numero di prodotto / valido unicamente per numero di progetto:</p> <p>2. Nome e indirizzo del fabbricante (2.1) e del relativo rappresentante autorizzato (2.2):</p> <p>3. La presente dichiarazione di conformità è rilasciata sotto la responsabilità esclusiva del fabbricante.</p> <p>4. Oggetto/i della dichiarazione:</p> <p>5. L'oggetto o gli oggetti della dichiarazione di cui sopra sono conformi alla pertinente normativa di armonizzazione dell'Unione:</p> <p>6. Riferimento alle pertinenti norme armonizzate utilizzate o riferimenti alle altre specifiche tecniche in relazione alle quali è dichiarata la conformità:</p> <p>7. L'organismo notificato w ha effettuato x e rilasciato il certificato y pertinente a z:</p> <p>A. Informazioni aggiuntive su ( ):</p> <p>A.1 Marcatura</p> <p>A.2 Il prodotto menzionato in precedenza è conforme alle prescrizioni della direttiva 2014/34/UE. Una o più norme UE menzionate sono già state sostituite da nuove versioni. Il fabbricante dichiara che il prodotto è conforme anche alle nuove versioni in quanto le prescrizioni modificate delle nuove norme non interessano il prodotto.</p>	<p>Atitikties deklaracija</p> <p>1. Gaminio modelis / gaminio numeris / galioja tik projekto numeriui:</p> <p>2. Gamintojo (2.1) ir jo įgaliotojo atstovo (2.2) pavadinimas ir adresas:</p> <p>3. Ši atitikties deklaracija išduota tik gamintojo atsakomybe.</p> <p>4. Deklaracijos objektas (objektai):</p> <p>5. Pirmiau aprašytas deklaracijos objektas (objektai) atitinka susijusius derinamuosius Sąjungos teisės aktus:</p> <p>6. Susijusių taikytų darniųjų standartų nuorodos arba kitų techninių specifikacijų, pagal kurias buvo deklaruota atitiktis, nuorodos:</p> <p>7. Notifikuotoji įstaiga w atliko x ir išdavė sertifikata y del z:</p> <p>A. Papildoma informacija ( ):</p> <p>A.1 Ženklimas</p> <p>A.2 Pirmiau nurodytas gaminys atitinka Direktyvos 2014/34/ES reikalavimus. Vienas ar keli nurodyti Europos standartai jau pakeisti nauja redakcija. Gamintojas patvirtina, kad gaminys taip pat atitinka naująją redakciją, nes pakeisti naujųjų standartų reikalavimai gaminiui poveikio neturi.</p>



# EU-Declaration of Conformity

MEU17042



latviešu valoda (lv)

Atbilstības deklarācija

1. Produkta modelis / produkta numurs / derīgs tikai projektam Nr.:
2. Ražotāja (2.1.) un tā pilnvarotā pārstāvja (2.2.) nosaukums un adrese:
3. Šī atbilstības deklarācija ir izdota vienīgi uz ražotāja atbildību.
4. Deklarācijas priekšmets vai priekšmeti:
5. Iepriekš aprakstītais deklarācijas priekšmets vai priekšmeti atbilst attiecīgajam Savienības saskaņošanas tiesību aktam:
6. Atsauces uz attiecīgajiem izmantojamiem saskaņotajiem standartiem vai uz citām tehniskajām specifikācijām, attiecībā uz ko tiek deklarēta atbilstība:
7. Paziņotā struktūra v ir veikusi x un izsniegusi sertifikātu y, kas attiecas uz z:

A. Papildu informācija par ( ):

A.1. Marķējums

A.2. Iepriekš minētais produkts atbilst Direktīvas 2014/34/ES prasībām. Viens vai vairāki no minētajiem Eiropas standartiem jau ir aizstāti ar jaunām versijām. Ražotājs apliecina, ka produkts atbilst arī šīm jaunajām versijām, jo jauno standartu mainītās prasības neietekmē produktu.

malta (mt)

Dikjarazzjoni ta' konformità

1. Mudell tal-prodott / numru tal-prodott / validu biss ghan-numru tal-progett:
2. L-isem u l-indirizz tal-manifattur (2.1) u tar-rappreżentant awtorizzat tieghu (2.2):
3. Din id-dikjarazzjoni ta' konformità tinhareg taht ir-responsabbiltà unika tal-manifattur.
4. L-ghan(ijiet) tad-dikjarazzjoni:
5. L-ghan(ijiet) tad-dikjarazzjoni deskritt(i) hawn fuq huwa(huma) konformi mal-legislazzjoni ta' armonizzazzjoni rilevanti tal-Unjoni:
6. Ir-referenzi għall-istandards armonizzati rilevanti li ntużaw, jew ir-referenzi għall-ispeċifikazzjonijiet tekniċi l-oħra li skonthom qed tiġi ddikjarata l-konformità:
7. Il-korp notifikat w wettaq x u hareġ iċ-ċertifikat y rilevanti għal z:

A. Informazzjoni addizzjonali fuq ( ):

A.1 Immarkar

A.2 Il-prodott msemmi hawn fuq huwa f'konformità mar-rekwiżiti tad-Direttiva 2014/34/UE. Wiehed jew aktar mill-Istandards Ewropej imsemmija diġà ġew sostitwiti b'edizzjonijiet godda biss. Il-manifattur jiddikjara li l-prodott huwa konformi wkoll ma' dawn l-edizzjonijiet godda, għax ir-rekwiżiti tal-Istandards il-godda ma jaffettwawx il-prodott

nederlands (nl)

Conformiteitsverklaring

1. Productmodel / productnummer / uitsluitend geldig voor projectnummer:
2. Naam en adres van de fabrikant (2.1) en zijn gemachtigde (2.2):
3. Deze conformiteitsverklaring wordt verstrekt onder volledige verantwoordelijkheid van de fabrikant.
4. Voorwerp(en) van de verklaring:
5. Het (de) hierboven beschreven voorwerp(en) is (zijn) in overeenstemming met de desbetreffende harmonisatiewetgeving van de Unie:
6. Vermelding van de toegepaste relevante geharmoniseerde normen of van de overige technische specificaties waarop de conformiteitsverklaring betrekking heeft:
7. De aangemelde instantie w heeft een x uitgevoerd en het certificaat y verstrekt dat relevant is voor z:

A. Aanvullende informatie over ( ):

A.1 Markering

A.2 Het bovengenoemde product voldoet aan de eisen van Richtlijn 2014/34/EU. Een of meer van de genoemde Europese normen zijn inmiddels vervangen door nieuwe versies. De fabrikant verklaart dat het product ook aan deze nieuwe versies voldoet, aangezien de gewijzigde eisen van de nieuwe normen geen gevolgen hebben voor het product.

polski (pl)

Deklaracja zgodności

1. Model produktu / numer produktu / ważny wyłącznie dla projektu o numerze:
2. Nazwa i adres producenta (2.1) oraz jego upoważnionego przedstawiciela (2.2):
3. Niniejsza deklaracja zgodności wydana zostaje na wyłączną odpowiedzialność producenta.
4. Przedmiot(-y) deklaracji:
5. Wymieniony powyżej przedmiot (lub przedmioty) niniejszej deklaracji jest zgodny z odnośnymi wymaganiami unijnego prawodawstwa harmonizacyjnego:
6. Odwołania do odnośnych norm zharmonizowanych, które zastosowano, lub do innych specyfikacji technicznych, w stosunku do których deklarowana jest zgodność:
7. Jednostka notyfikowana w przeprowadziła x i wydała certyfikat y odpowiedni dla z:

A. Informacje dodatkowe o ( ):

A.1 Oznakowanie

A.2 Wyżej wymieniony produkt jest zgodny z wymaganiami Dyrektywy 2014/34/UE. Co najmniej jedna wymieniona norma europejska została już zastąpiona nowym wydaniem. Producent oświadcza, że produkt spełnia wymagania także takich nowych wydań norm, gdyż zmienione wymagania zawarte w nowych normach nie mają wpływu na produkt.

português (pt)

Declaração de conformidade

1. Modelo do produto / número do produto / somente válido para o número de projeto:
2. Nome e endereço do fabricante (2.1) e do seu mandatário (2.2):
3. A presente declaração de conformidade é emitida sob a exclusiva responsabilidade do fabricante.
4. Objeto(s) da declaração:
5. O(s) objeto(s) da declaração acima descrito(s) está(ão) em conformidade com a legislação aplicável de harmonização da União:
6. Referências às normas harmonizadas aplicáveis utilizadas ou às outras especificações técnicas em relação às quais é declarada a conformidade:
7. O organismo notificado w realizou x e emitiu o certificado y relevante para z:

A. Informações complementares relativa a ( ):

A.1 Marcação

A.2 O produto acima mencionado está em consonância com os requisitos da diretiva 2014/34/UE. Uma ou mais das Normas Europeias mencionadas acima já foram substituídas por novas edições. O fabricante declara que o produto também está em conformidade com essas novas edições, uma vez que os requisitos alterados dessas novas Normas não afetam o produto.

română (ro)

Declarație de conformitate

1. Modelul de produs / Număr produs / valabil numai pentru numărul proiectului:
2. Denumirea și adresa producătorului (2.1) și a reprezentantului său autorizat (2.2):
3. Prezenta declarație de conformitate este emisă pe răspunderea exclusivă a producătorului.
4. Obiectul (obiectele) declarației:
5. Obiectul (obiectele) declarației descrise mai sus sunt în conformitate cu legislația relevantă de armonizare a Uniunii:
6. Trimiteri la standardele armonizate relevante folosite sau trimiteri la celelalte specificații tehnice în legătură cu care se declară conformitatea:
7. Organismul notificat w a efectuat x și a emis certificatul y corespunzător pentru z:

A. Informații suplimentare despre ( ):

A.1 Marcaj

A.2 Produsul menționat anterior respectă cerințele directivei 2014/34/UE. Unul sau mai multe din standardele europene menționate sunt deja înlocuite de noi ediții. Producătorul declară faptul că produsul respectă de asemenea aceste noi ediții, ășadar cerințele modificate ale noilor standarde nu afectează produsul.



# EU-Declaration of Conformity

MEU17042



slovenčina (sk)	slovenščina (sl)	suomi (fi)
<p>Vyhlasenie o zhode</p> <ol style="list-style-type: none"><li>1. Model výrobku / číslo výrobku / platné len pre číslo projektu:</li><li>2. Meno/názov a adresa výrobcu (2.1) a jeho splnomocneného zástupcu (2.2):</li><li>3. Toto vyhlásenie o zhode sa vydáva na vlastnú zodpovednosť výrobcu.</li><li>4. Predmet(-y) vyhlásenia:</li><li>5. Uvedený predmet či uvedené predmety vyhlásenia sú v zhode s príslušnými harmonizačnými právnymi predpismi Únie:</li><li>6. Odkazy na príslušné použité harmonizované normy alebo odkazy na iné technické špecifikácie, v súvislosti s ktorými sa zhoda vyhlasuje:</li><li>7. Notifikovaný orgán v vykonal x a vydal certifikát y relevantný pre z: A. Doplňujúce informácie o ( ): A.1 Označenie A.2 Vyššie uvedený výrobok je v súlade s požiadavkami smernice 2014/34/EÚ. Jedna alebo viaceré z uvedených európskych noriem sú už nahradené novými vydaniaми. Výrobca vyhlasuje, že výrobok je v zhode aj s týmito novými vydaniaми, pretože zmenené požiadavky nových noriem nemajú na výrobok vplyv.</li></ol>	<p>Izjava o skladnosti</p> <ol style="list-style-type: none"><li>1. Model proizvoda / serijska številka proizvoda / veljavno samo za številko projekta:</li><li>2. Ime in naslov proizvajalca (2.1) ter njegovega pooblaščenega zastopnika (2.2):</li><li>3. Za izdajo te izjave o skladnosti je odgovoren izključno proizvajalec.</li><li>4. Predmet(i) izjave:</li><li>5. Predmet(i) navedene izjave je (so) v skladu z ustrežno zakonodajo Unije o harmonizaciji:</li><li>6. Sklicevanja na uporabljene ustrezne harmonizirane standarde ali sklicevanja na druge tehnične specifikacije v zvezi s skladnostjo, ki je navedena v izjavi:</li><li>7. Priglašeni organ v je izvedel x in izdal certifikat y, pomemben za z: A. Dodatne informacije o ( ): A.1 Oznaka A.2 Zgoraj navedeni proizvod je v skladu z zahtevami direktive 2014/34/EU. Enega ali več omenjenih evropskih standardov so že nadomestile nove izdaje. Proizvajalec izjavlja, da je proizvod skladen s temi novimi izdajami, saj spremenjene zahteve novih standardov ne vplivajo na proizvod.</li></ol>	<p>Vaatumustenmukaisuusvakuutus</p> <ol style="list-style-type: none"><li>1. Tuotemalli / tuotenumero / koskee vain projektinumeroa:</li><li>2. Valmistajan (2.1) ja valtuutetun edustajan (2.2) nimi ja osoite:</li><li>3. Tämä vaatimustenmukaisuusvakuutus on annettu valmistajan yksinomaisella vastuulla.</li><li>4. Vakuutuksen kohde (kohteet):</li><li>5. Edellä kuvattu (kuvatut) vakuutuksen kohde (kohteet) on (ovat) asiaa koskevan unionin yhdenmukaistamislainsäädännön vaatimusten mukainen (mukaisia):</li><li>6. Viittaus niihin asiaa koskeviin yhdenmukaistettuihin standardeihin, joita on käytetty, tai viittaus muihin tekniisiin eritelmiin, joiden perusteella vaatimustenmukaisuusvakuutus on annettu:</li><li>7. Ilmoitettu laitos v suoritti x ja antoi todistuksen y liittyen z: A. Lisätietoja ( ): A.1 Merkintä A.2 Yllä mainittu tuote vastaa direktiivin 2014/34/EU vaatimuksia. Yksi tai useampi mainituista eurooppalaisista standardeista on jo korvattu uusilla painoksilla. Valmistaja vakuuttaa, että tuote vastaa myös näitä uusia painoksia, koska uusien standardien muutetut määräykset eivät vaikuta tuotteeseen.</li></ol>
<p>svenska (sv)</p> <p>Försäkran om överensstämmelse</p> <ol style="list-style-type: none"><li>1. Produktmodell / produktnummer / gäller endast för projektnummer:</li><li>2. Tillverkarens namn och adress (2.1) och dess auktoriserade representant (2.2):</li><li>3. Denna försäkran om överensstämmelse utfärdas på tillverkarens eget ansvar.</li><li>4. Föremål för försäkran:</li><li>5. Föremålet/föremålen för försäkran ovan överensstämmer med den relevanta harmoniserade unionslagstiftningen:</li><li>6. Hänvisningar till de relevanta harmoniserade standarder som använts eller hänvisningar till de andra tekniska specifikationer enligt vilka överensstämmelsen försäkras:</li><li>7. Det anmälda organet v har utfört x och utfärdat intyget y relevant för z: A. Ytterligare information om ( ): A.1 Märkning A.2 Ovan nämnda produkt är i linje med kraven i direktiv 2014/34/EU. En eller flera av de nämnda europeiska standarderna har redan ersatts av nya upplagor. Tillverkaren försäkrar att produkten även överensstämmer med dessa nya upplagor, då de ändrade kraven i de nya standarderna inte påverkar produkten.</li></ol>		

# Konformitätserklärung

## Declaration of conformity

Die Firma  
The Company

Minebea Intec GmbH  
Meiendorfer Straße 205A  
22145 Hamburg, Germany

erklärt hiermit, dass folgende Geräte den angegebenen IP-Schutzarten entsprechen  
declares that the following devices fulfill the requirement of the mentioned IP ratings

Gerät <i>Device</i>	Beschreibung <i>Description</i>	IP-Schutzart <i>IP rating</i>
PR 6021/08	Kabelverbindungskasten <i>Cable junction box</i>	IP68 / IP69
PR 6021/18	Kabelverbindungskasten <i>Cable junction box</i>	IP68 / IP69
PR 6021/68S	Kabelverbindungskasten <i>Cable junction box</i>	IP68 / IP69
PR 6024/6X	Kabelverbindungskasten <i>Cable junction box</i>	IP66 / IP68 / IP69
PR 6130/08	Kabelverbindungskasten <i>Cable junction box</i>	IP65
PR 6130/04N	Kabelverbindungskasten <i>Cable junction box</i>	IP67
PR 6130/3x	Kabelverbindungskasten <i>Cable junction box</i>	IP68 / IP69
PR 6130/6x	Kabelverbindungskasten <i>Cable junction box</i>	IP68 / IP69

Minebea Intec GmbH  
Hamburg, 27.07.2017

  
-----  
Marcel Pfnister  
Product Manager

  
-----  
Torben Hiller  
Product Compliance Manager



Published by  
Minebea Intec GmbH | Meiendorfer Strasse 205 A | 22145 Hamburg, Germany  
Phone: +49.40.67960.303 | Email: [info@minebea-intec.com](mailto:info@minebea-intec.com)  
[www.minebea-intec.com](http://www.minebea-intec.com)

