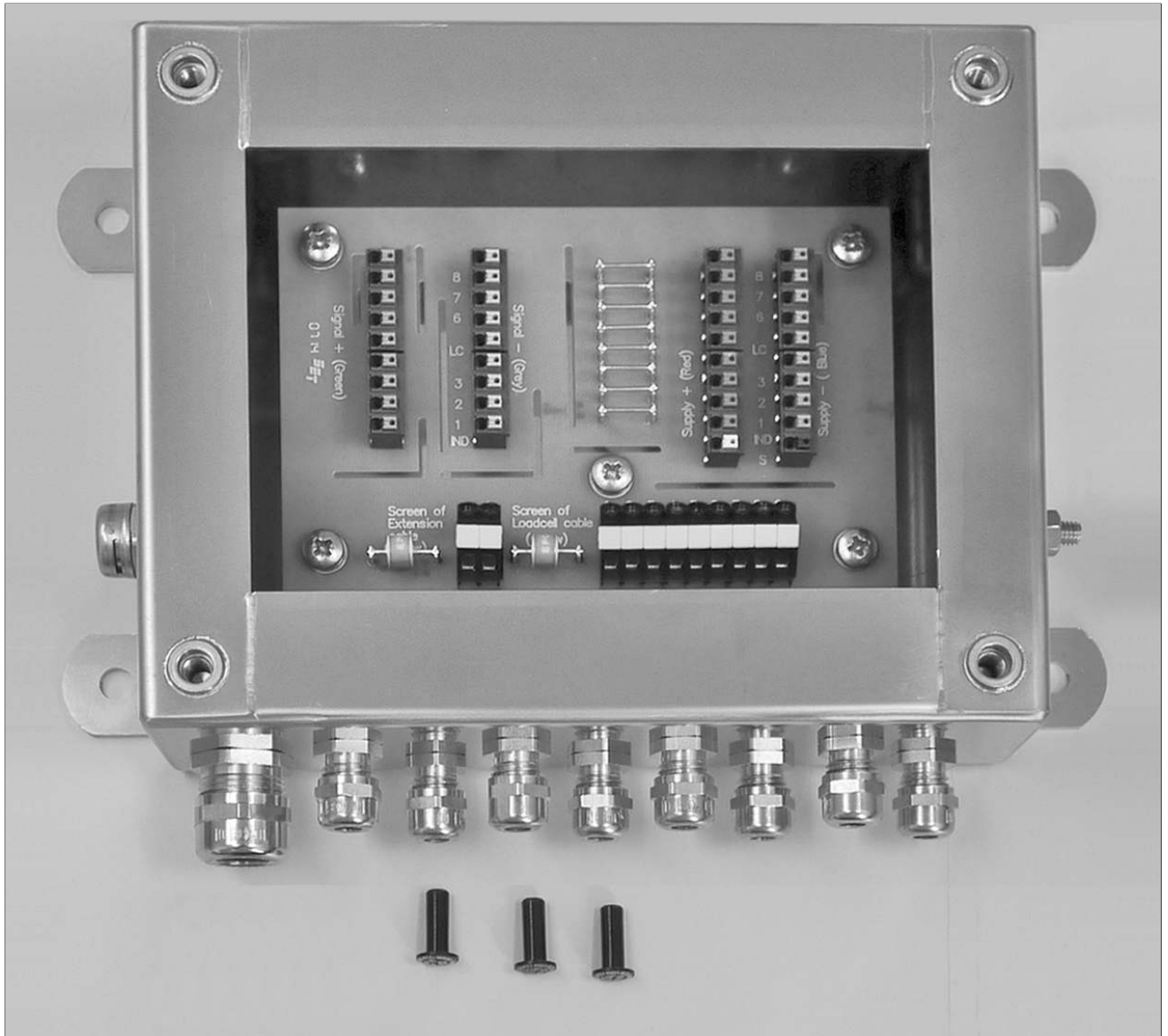


Installation Manual

Weighbridge Cable Junction Box PR 6021/68S



Foreword

Must be followed!

Any information in this document is subject to change without notice and does not represent a commitment on the part of Minebea Intec unless legally prescribed. This product should only be operated/installed by trained and qualified personnel. In correspondence concerning this product, the type, name, and release number/serial number as well as all license numbers relating to the product have to be cited.

Note

This document is partially protected by copyright. It may not be changed or copied, and it may not be used without purchasing or written permission from the copyright owner (Minebea Intec). The use of this product constitutes acceptance by you of the abovementioned provisions.

Table of contents

1	Introduction	3
1.1	Read the manual	3
1.2	This is what operating instructions look like	3
1.3	This is what lists look like	3
1.4	This is what menu items and softkeys look like	3
1.5	This is what the safety instructions look like	3
1.6	Hotline	4
2	Safety instructions	5
2.1	General notes	5
2.2	Intended use	5
2.3	Initial inspection	6
2.4	Before operational startup	6
2.5	Repairs and maintenance	6
2.5.1	General information	6
3	Specifications	7
3.1	Equipment supplied	7
3.2	Technical Data	8
3.3	Electromagnetic Compatibility (EMC)	9
3.4	Possible marking for the Ex area	9
3.5	Dimensions	11
4	Installation and connection information	12
4.1	General information	12
4.2	Connecting intrinsically safe circuits	12
4.3	Terminals and jumpers	13
4.4	Cable gland	14
5	Cable connections	15
5.1	General information	15
5.2	Connecting cables	15
5.3	Cable connections	15
5.4	Equipotential bonding conductor	17
5.5	Electronic corner correction	18
5.5.1	General information	18
5.5.2	Procedure	18
6	Maintenance/repairs/soldering work/cleaning	20
6.1	Maintenance	20
6.2	Repairs	20
6.3	Soldering work	20

6.4	Cleaning	20
7	Disposal	21
8	Appendix	22
8.1	Certificates/safety instructions/control drawing/Ex design.....	22

1 Introduction

1.1 Read the manual

- Please read this manual carefully and completely before using the product.
- This manual is part of the product. Keep it in a safe and easily accessible location.

1.2 This is what operating instructions look like

1. - n. are placed before steps that must be done in sequence.
 - ▶ is placed before a step.
 - ▷ describes the result of a step.

1.3 This is what lists look like

- indicates an item in a list.

1.4 This is what menu items and softkeys look like

[] frame menu items and softkeys.

Example:

[Start]- [Applications]- [Excel]

1.5 This is what the safety instructions look like

Signal words indicate the severity of the danger involved when measures for preventing hazards are not followed.

DANGER

Warning of personal injury

DANGER indicates death or severe, irreversible personal injury which will occur if the corresponding safety measures are not observed.

- ▶ Take the corresponding safety precautions.

WARNING

Warning of hazardous area and/or personal injury

WARNING indicates that death or severe, irreversible injury may occur if appropriate safety measures are not observed.

- ▶ Take the corresponding safety precautions.

CAUTION

Warning of personal injury.

CAUTION indicates that minor, reversible injury may occur if appropriate safety measures are not observed.

- ▶ Take the corresponding safety precautions.

NOTICE**Warning of damage to property and/or the environment.**

NOTICE indicates that damage to property and/or the environment may occur if appropriate safety measures are not observed.

- ▶ Take the corresponding safety precautions.
-

Note:

User tips, useful information, and notes.

1.6 Hotline

Phone: +49.40.67960.444

Fax: +49.40.67960.474

eMail: help@minebea-intec.com

2 Safety instructions

2.1 General notes

CAUTION

Warning of personal injury.

The product was in perfect condition with regard to safety features when it left the factory.

- ▶ To maintain this condition and to ensure safe operation, the user must follow the instructions and observe the warnings in this manual.

2.2 Intended use

The junction box is specially developed for road vehicle weighbridges.

It can also be operated in potentially explosive atmospheres.

Product operation, commissioning and maintenance must be performed by trained and qualified personnel who are aware of and able to deal with the related hazards and take suitable measures for self-protection.

The device reflects the state of the art.

The manufacturer does not accept any liability for damage caused by third-party system components or due to incorrect use of the product. The use of this product signifies recognition of the stipulations listed above.

The following table shows the load cells that should and should not be used for different applications.

Load cells to be used	Load cells not to be used
	PR 6201/.., all types
	PR 6202/.., all types
	Inteco®/.., all types
	PR 6204 Pendeo® Process
	PR 6207/.., all types
	PR 6211/..D1
	PR 6212/.., all types
PR 6221/..C3, /..C3E, /..C4, /..C4E, /..C5, /..C5E, /..C6, /..C6E	
	PR 6224 Pendeo® Truck
	PR 6241/.., all types
	Contego®/..D1, /..D1Ex, /..C3, /..C3Ex
	PR 6246/.., all types
	PR 6251/.., all types
	Novego®/..D1, /..D1E, /..C3, /..C3E
	MP load cells, all types

Load cells to be used	Load cells not to be used
	PR 4x, all types
	PR 7x, all types

2.3 Initial inspection

Check the contents of the consignment for completeness. Check the contents visually to determine whether any damage has occurred during transport. If there are grounds for rejection of the goods, a claim must be filed with the carrier immediately. The Minebea Intec sales or service organization must also be notified.

2.4 Before operational startup

NOTICE

Perform visual inspection.

- ▶ Before operational startup as well as after storage or transport, inspect the device visually for signs of mechanical damage.
-

2.5 Repairs and maintenance

2.5.1 General information

Repairs are subject to inspection and must be carried out at Minebea Intec.

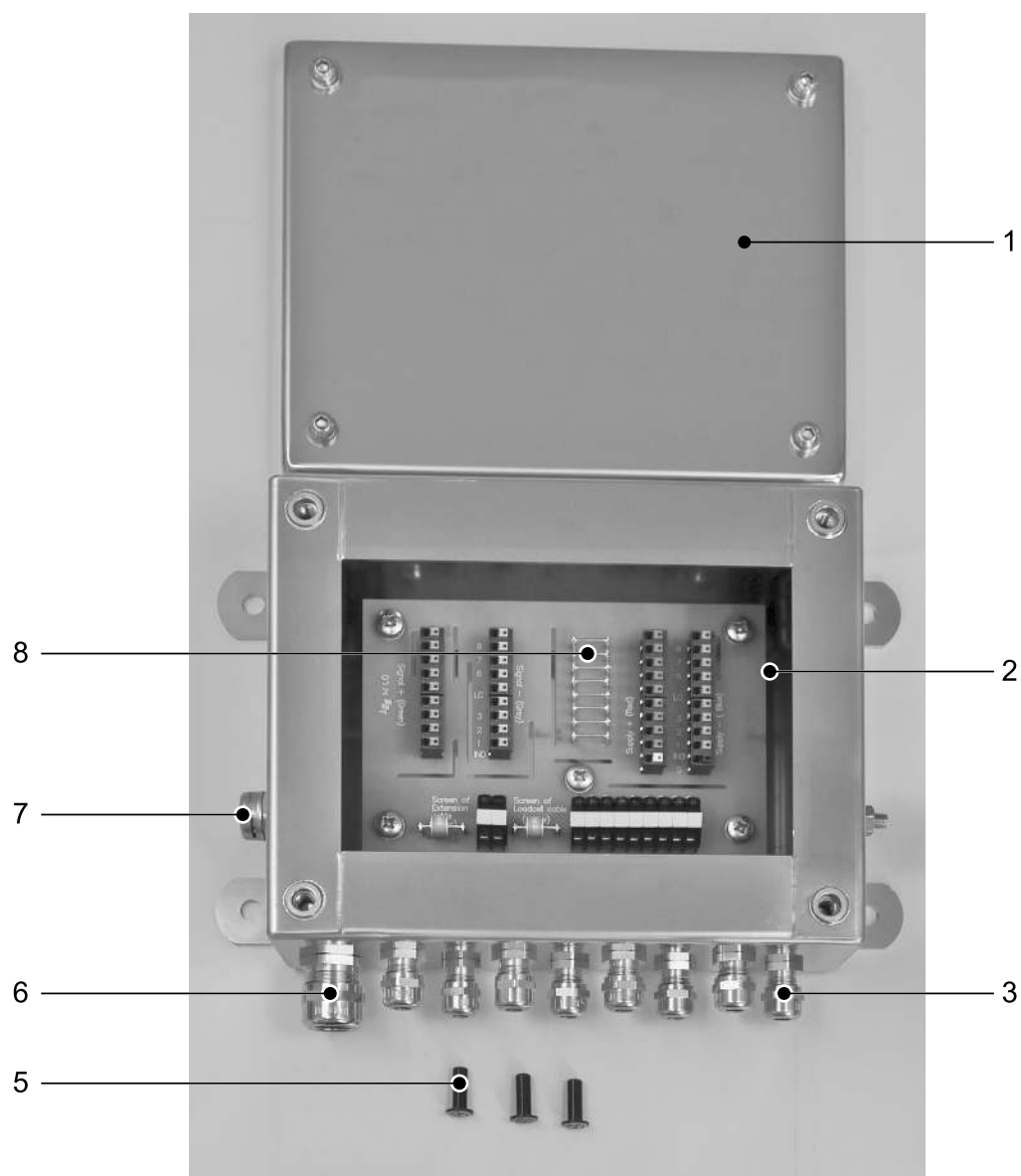
In case of defect or malfunction, please contact your local Minebea Intec dealer or service center for repair.

When returning the device for repair, please include a precise and complete description of the problem.

Maintenance work may only be carried out by a trained technician with expert knowledge of the hazards involved and the required precautions.

3 Specifications

3.1 Equipment supplied



No.	Description
1	Cover
2	Box incl. electronics
3	Cable gland M12 (8x)
5	Ex-zone locking pin 6 mm (3x)
6	Cable gland M20
7	Pressure compensation element
8	Jumpers for corner correction resistors

No.	Description
The following items are not shown:	
9	Drilling template
10	Quick guide
11	Safety instructions for cable junction boxes to be used in potentially explosive atmospheres

3.2 Technical Data

Protection classes	per DIN EN 60529 IP68, IP69: Dust-proof and leak-proof against water, with harmful effects when immersed, (0.5 m water depth, 1,000 h) and water jets (high pressure and temperature).
Installation position	Cable entry from below
Quantity of load cells	max. 8
Clamping area screw connection M12	4.5...6.5 mm
Clamping area screw connection M20	8...13 mm
Overvoltage protection	2× Surge arrestor Type A81C90X
Pressure equalization	Stainless steel pressure equalization element
Material of the junction box	High-grade stainless steel 1.4404 (X2CrNiMo17-12-2) according to EN 10088-3, AISI 316L, JIS SUS316
Surface of the junction box	2R according to DIN EN 10088-2 (cold-rolled, bright annealed, flat, blank, reflective)
Net weight	1.4 kg
Shipping weight	1.5 kg
Service temperature area	-30 °C...+80 °C
Service temperature area, in explosion-prone area	-20 °C...+60 °C
Storage temperature range	-30 °C...+80 °C
Cable screw connections	Metal Ex EMC cable screw connections Brass CuZn39Pb3, galv. nickel-plated
Insulation impedance (in service temperature range at 95% air humidity and $U_{DC} = 500 \text{ V}$)	>1000 MΩ
Ex-connection values	See Chapter 8.1 .

3.3 Electromagnetic Compatibility (EMC)

All data in compliance EN 61326 industrial section

Housing	High frequency electromagnetic fields (80...3000 MHz)	EN 61000-4-3	10 V/m
	Electrostatic discharge (ESD)	EN 61000-4-2	6/8 kV
Signal and control lines	Fast transients (burst)	EN 61000-4-4	1 kV
	Peak voltages (surge) 1.2/50 μ s	EN 61000-4-5	1 kV
	Conducted disturbances by high frequency coupling (0.15...80 MHz)	EN 61000-4-6	10 V

3.4 Possible marking for the Ex area

Zone	Marking	Certificate No.
0 and 1	II 1 G Ex ia IIC T6/T4 Ga Ex ia IIC T6/T4 Ga	DEKRA 13ATEX0133 X IECEX DEK 13.0042X
20	II 1 D Ex ia IIIC T90 °C Da Ex ia IIIC T90 °C Da	DEKRA 13ATEX0133 X IECEX DEK 13.0042X
21 and 22	II 2 D tb IIIC T50 °C/T70 °C Db Ex tb IIIC T50 °C/T70 °C Db	DEKRA 13ATEX0133 X IECEX DEK 13.0042X
2	II 3G Ex nA IIC T6 Gc Ex nA IIC T6 Gc	DEKRA 13ATEX0133 X IECEX DEK 13.0042X
	IS CL I, II, III, DIV 1, GP A, B, C, D, E, F, G T4 - 36931-751-07; 4X, IP6x NI CL I, DIV 2, GP A, B, C, D, T4; 4X, IP6x DIP CL II, DIV 2, GP E, F, G T4; 4X, IP6x CL I, Zone 0, Ex ia IIC T4 - 36931-751-07; 4X, IP6x T4 Ta= -20°C to 60°C	FM17CA0156X
	IS CL I, II, III, DIV 1, GP A, B, C, D, E, F, G T4 - 36931-751-07; 4X, IP6x NI CL I, II, III, DIV 2, GP A, B, C, D, E, F, G T4; 4X, IP6x S CL II, DIV 2, GP E, F, G/T4; 4X, IP6x S CL III, DIV 1 T4 - 36931-751-07; 4X, IP6x CL I, Zone 0, AEx ia IIC T4 - 36931-751-07; 4X, IP6x Zone 20, AEx ia IIIC T90°C - 36931-751-07; 4X, IP6x T4 Ta= -20°C to 60°C	FM17US0275X

NOTICE

Installation in Ex Area


- The Ex safety instructions in the appendices must be observed when installing in the Ex area.



The relevant protection class must be indicated on the rating plate!

Note:

The marking for ATEX is shown as an example.

Minebea Intec GmbH
 Meiendorfer Str. 205A, 22145 Hamburg, Germany
 PR6021/68S 12NC 9405 360 2168X

 II 1D Ex ia IIIC T90°C Da
 II 1G Ex ia IIC T6/T4 Ga
 II 2D Ex tb IIIC T50°C/T70°C Db
 II 3G Ex nA IIC T6 Gc

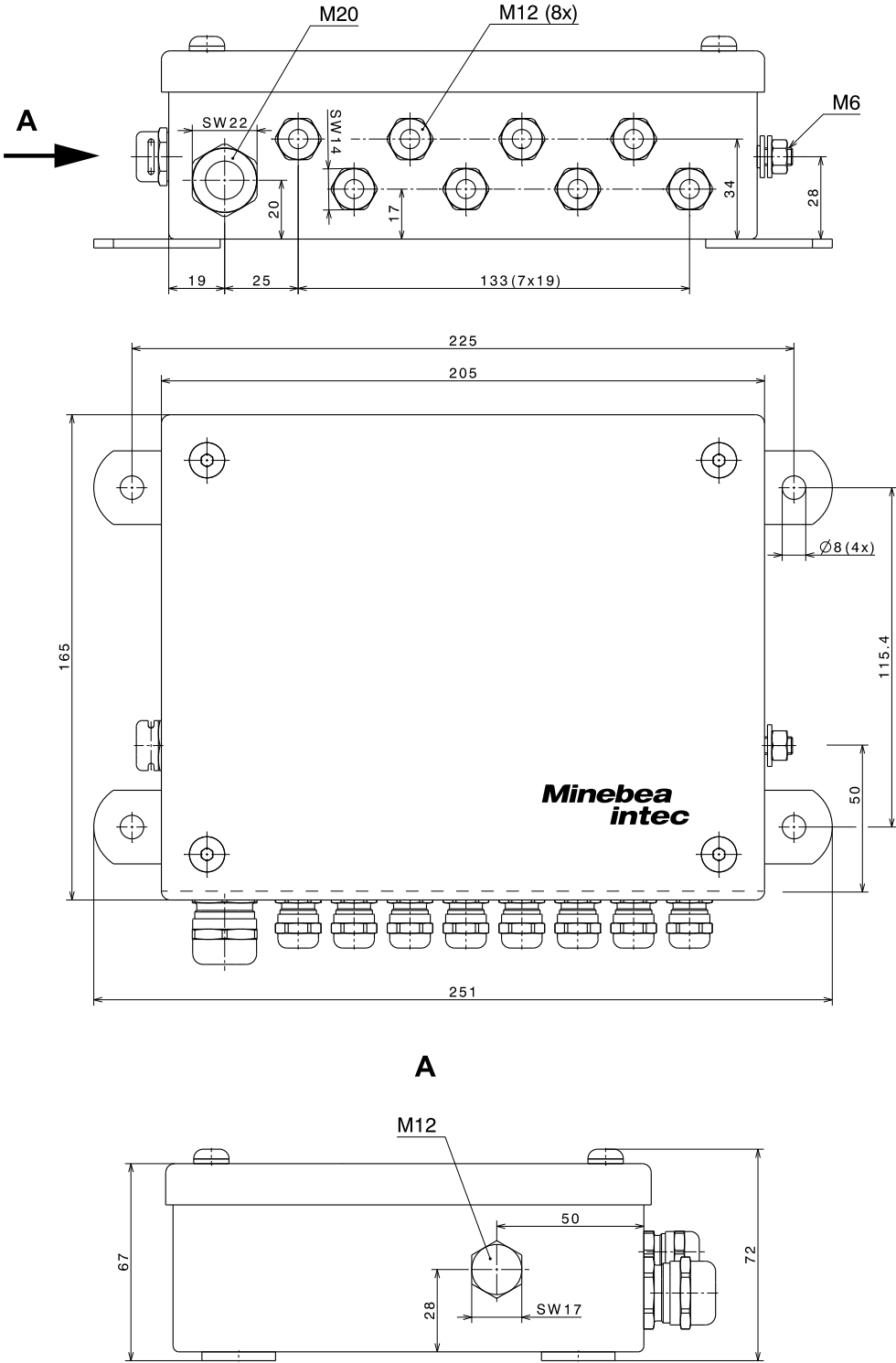
 0102 DEKRA 13ATEX0133 X IP6X
 IECEX DEK 13.0042 X 

-20°C ≤ Ta ≤ +60°C NICHT UNTER LAST ÖFFNEN!
 30.06.2017 DO NOT OPEN WHEN ENERGIZED!

Note:

See also Chapter [8.1](#).

3.5 Dimensions



all dimensions in mm

4 Installation and connection information

4.1 General information

Note:

When used in protection class "Ex nA" (non-sparking), a transient protective device must be set to a level that does not exceed 140% of the peak voltage of 85 V.

When used in environments with flammable dust, electrostatic discharge from the plastic label must be avoided.

- The safety instructions in Chapter [8.1](#) must be followed!
 - Only use the metal EX EMC cable glands provided by the manufacturer.
 - Install the junction box so that the cable glands are on the bottom.
 - Do not open the junction box when connected to the voltage supply.
-

Note:

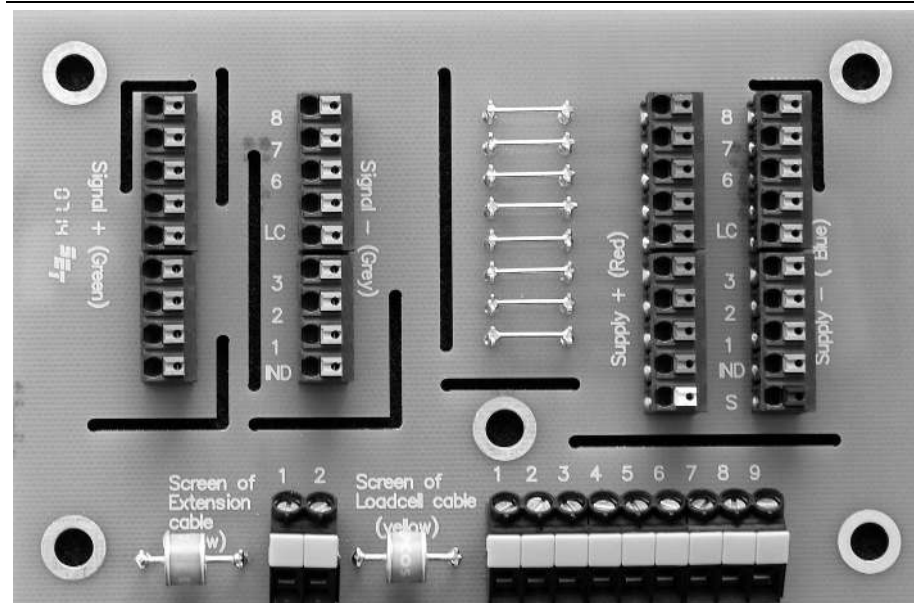
At ambient temperatures $>45^{\circ}\text{C}$, cables that are suitable for at least 85°C must be used.

4.2 Connecting intrinsically safe circuits

- The housing grounding or equalization line must be connected to the outside of the housing under the ground screw.
- The junction box is suitable for use in potentially explosive atmospheres for connection to intrinsically safe circuits. The circuits consist of
 - the connection load cells (passive)
 - the connection cable to an interface with an (active) intrinsically safe circuit, e.g., PR 1626/6x in connection with a downstream device.

The intrinsically safe circuit consists of the circuits for the supply, sense, and measuring voltage.
- It is not permissible to connect multiple active intrinsically safe circuits in the junction box.
- When used in zone 20, the accumulated dust must not exceed a thickness of 5 mm.
- When used in zone 2, ensure that no voltage peaks more than 40% above the nominal voltage can occur.

4.3 Terminals and jumpers



Signal +	green	Terminal contacts 1–8	+ measuring voltage (load cells)
		Terminal contact IND	+ measuring voltage (connection cable)
Signal -	gray	Terminal contacts 1–8	- measuring voltage (load cells)
		Terminal contact IND	- measuring voltage (connection cable)
Supply +	red	Terminal contacts 1–8	+ supply voltage (load cells)
		Terminal contact IND	+ supply voltage (connection cable)
		Terminal contact S	+ sense (connection cable – white)
Supply -	blue	Terminal contacts 1–8	- supply voltage (load cells)
		Terminal contact IND	- supply voltage (connection cable)
		Terminal contact S	- sense (connection cable – black)
Screen	yellow	Terminal contacts 1–2	Screen (connection cable)
		Terminal contacts 1–9	Screen (load cells)

4.4 Cable gland

The cables have to be fed into the device via glands to ensure leak-tightness. The following cable diameters are suitable: 8...13 mm for gland M20 and 4.5...6.5 mm for cable gland M12.

The cable wires are connected to the terminals inside the device.

NOTICE

Property damage is possible.

- ▶ If a cable gland is not used, it must be sealed with a supplied locking pin.

NOTICE

Property damage is possible.

- ▶ Regularly check the fitted cable gland for tightness and re-tighten it, if necessary.

5 Cable connections

5.1 General information

Cable entry must be from below.

Fit the wires and screen of the connection cable with wire end ferrules as per DIN 46228-1:

- 0.5 mm² for green, gray, black, and white
- 0.75 mm² for blue and red

This is not necessary for the load cell cables.

Connect the wires to the terminals according to the color coding .

Place the cable screens of the connection cable and load cell cables on the yellow terminals. The terminals are connected with the housing via overvoltage conductors.

Connect the screens on the other side of the connection cable with the equipotential bonding terminal of the downstream device (see instrument manual) as described in Chapters 5.3 and 5.4.

WARNING

When installing in potentially explosive atmospheres:

It is imperative that you follow the application-dependent installation instructions!

- ▶ Always check whether it is permissible to bilaterally connect the screens to the equipotential bonding.

Note:

The calibration certificate, installation manual and data sheet of the load cell contain information about how to connect the load cell cable screen with the load cell housing.

5.2 Connecting cables

To connect the junction box to the device, connection cable PR 6135/..or PR 6136/.. (for Ex zone) must be used; max. length: 300 m.

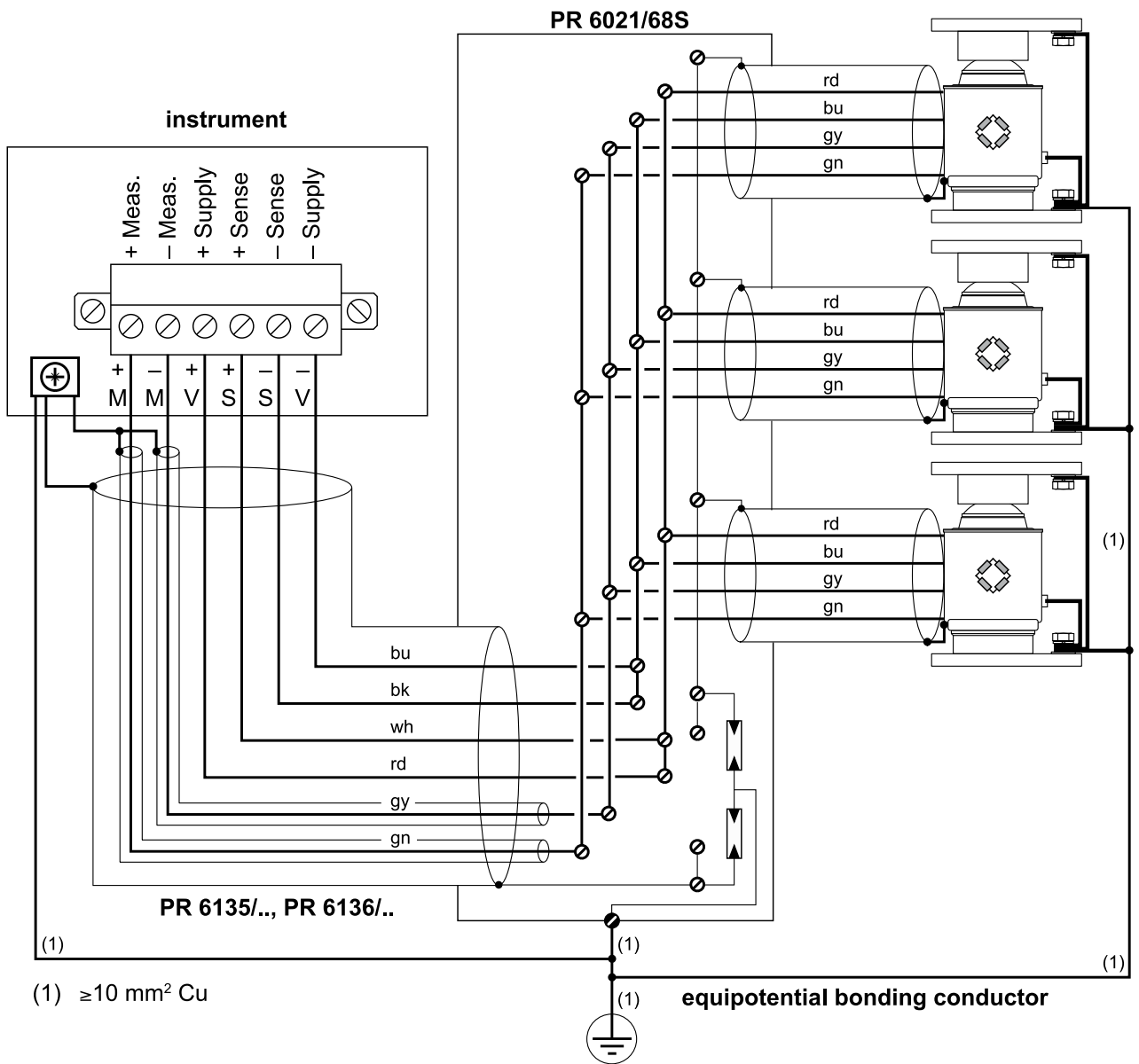
5.3 Cable connections

Note:

All components are only shown schematically.

Color code

bk	=	black
bu	=	blue
gn	=	green
gy	=	gray
rd	=	red
wh	=	white



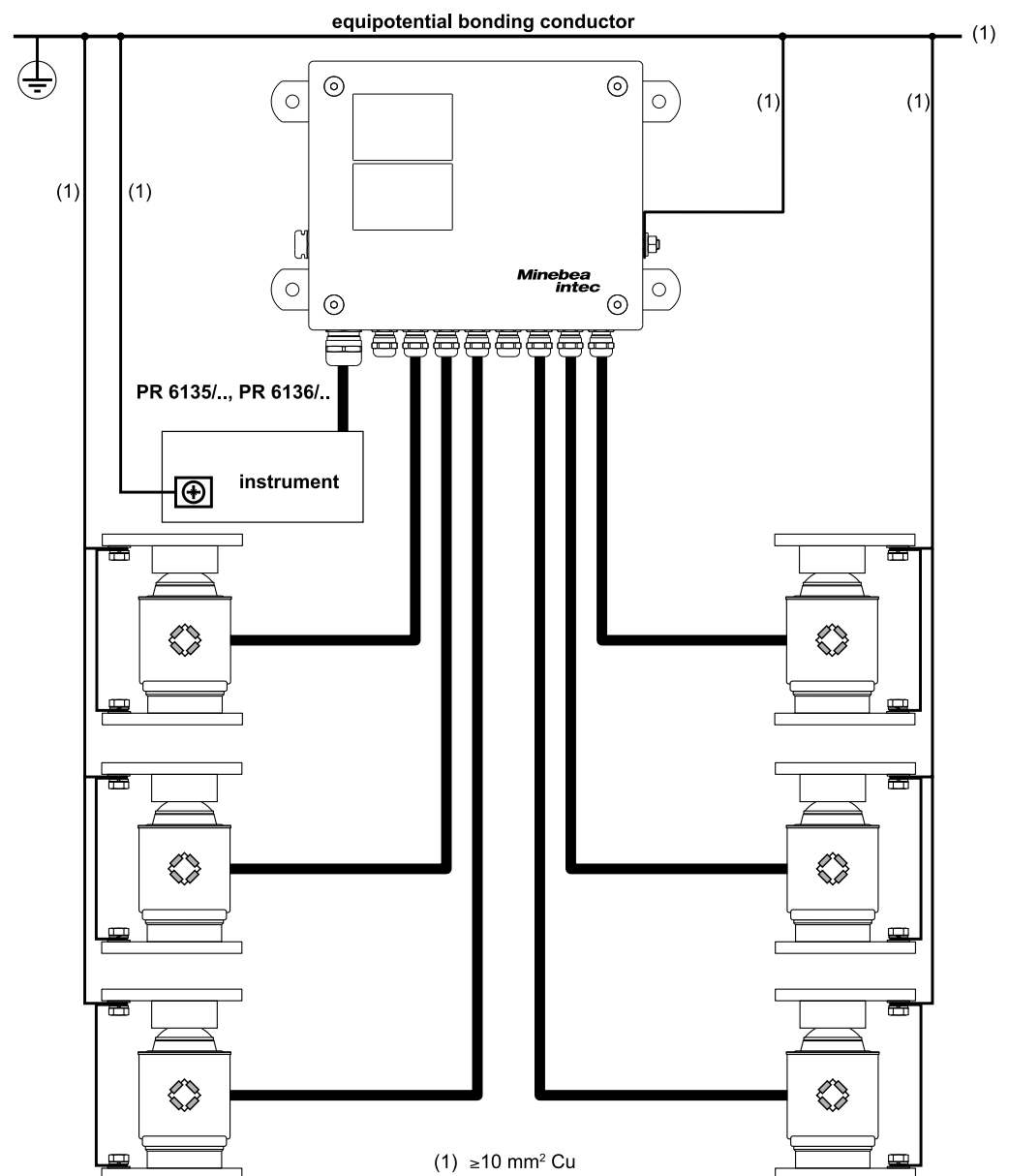
5.4 Equipotential bonding conductor

NOTICE

It is especially important that the ground is connected correctly to the components and the cable junction box.

You must also ground the device separately and ensure the power supply is properly shielded against the effects of lightning. Simply connecting the protective grounding conductor is not enough!

- ▶ If the installation is not carried out according to our instructions, this voids the warranty. In particular, the entire installation, including the power supply, must be sufficiently protected against lightning.
- ▶ In Ex areas, equipotential bonding must be established to avoid any compensatory currents between the individual conducting system components.



5.5 Electronic corner correction

5.5.1 General information

Minebea Intec load cells are produced according to high quality standards and have precisely adjusted output values.

Nonetheless, mechanical imbalances can cause impermissible corner load errors to arise, which will need to be offset by soldering in resistors.

The correct installation and accurate alignment of load cells are imperative for good measurement results and significantly affect the behavior with corner loads. Therefore, the installation and alignment of the load cell should always be checked first if a corner error is identified.

If necessary, carry out mechanical height adjustment (see Installation manual of the load cell).

NOTICE

Loss of calibration accuracy

An unstable signal can arise due to contact problems. This results in fluctuating zero points, which lead to the loss of calibration accuracy.

- ▶ Do not use a potentiometer.
- ▶ Only use resistors of 0–5.62 Ω (1%, P70 = 0.6 W) of size MBB0207 (approx. 2.5 × 6.5 mm) or CECC B.

5.5.2 Procedure

Electronic corner correction allows the sensitivity of each individual load cell to be reduced separately.

The resistor required here can be calculated using the following formula:

$$R = \left(\frac{\text{Weight}_{\text{act}}}{\text{Weight}_{\text{set point}}} - 1 \right) \cdot R_{\text{LC}}$$

R	Resistor integrated in the input circuit of the load cell (the resistance value is normally <7 Ω).
---	--

Weight _{actual}	Weight value on the display
--------------------------	-----------------------------

Weight _{set point}	Weight of the placed load
-----------------------------	---------------------------

R _{LC}	Input resistance of the load cell
-----------------	-----------------------------------

Example:

placed load	12,000 kg
-------------	-----------

Display	12,052 kg
---------	-----------

R _{LC}	1080 Ω (see Installation manual of the load cell)
-----------------	---

Calculated resistance	4.68 Ω
-----------------------	--------

The following steps are necessary to minimize corner load errors:

1. Select the load cell with the lowest displayed load as the reference cell.
2. In the junction box, remove the jumper from the relevant supply line (Supply +) and solder in a resistor according to the abovementioned formula (in the example 4.68Ω).

This aligns the load cells with the displayed value of the reference cell.

Note:

The soldering studs are factory short-circuited for the resistances.

3. After that, recalibrate the scale.

6 Maintenance/repairs/soldering work/cleaning

6.1 Maintenance

Maintenance work may only be carried out by a trained technician with expert knowledge of the hazards involved and the required precautions.

6.2 Repairs

Repairs are subject to inspection and must be carried out at Minebea Intec.

In case of defect or malfunction, please contact your local Minebea Intec dealer or service center for repair.

When returning the device for repair, please include a precise and complete description of the problem.

6.3 Soldering work

Soldering work is permitted on the device for corner correction.

6.4 Cleaning

NOTICE

Property damage caused by unsuitable cleaning utensils/agents.

Damage to the device.

- ▶ Prevent moisture from penetrating the interior.
- ▶ Do not use aggressive cleaning agents (solvents or similar agents).
- ▶ For use in the food industry, use a cleaning agent suitable for that particular working environment.
- ▶ Use soft sponges, brushes and cloths.

-
1. Unplug device from mains supply, disconnect any data cables.
 2. Clean the device with a cloth lightly moistened with a soap solution.
 3. Wipe down the device with a soft, dry cloth after cleaning.

7 Disposal

If the packaging is no longer required, please take it to your local waste disposal facility and/or a reputable disposal company or collection point. The packaging largely consists of environmentally friendly materials which can be used as secondary raw materials.

It is not permitted—even for small businesses—to dispose of this product with the regular household waste or at collection points run by local public waste disposal companies.

EU legislation requires its Member States to collect electrical and electronic equipment and dispose of it separately from other unsorted municipal waste so that it can then be recycled.

Before disposing of or scrapping the product, any batteries should be removed and taken to a suitable collection point.

Please see our T&Cs for further information.

Service addresses for repairs are listed in the product information supplied with the product and on our website (www.minebea-intec.com).

We reserve the right not to accept products that are contaminated with hazardous substances (ABC contamination) for repair.

Should you have any further questions, please contact your local service representative or our service center.

Minebea Intec GmbH

Repair center

Meiendorfer Strasse 205 A

22145 Hamburg, Germany

Phone: +49.40.67960.666

service.HH@minebea-intec.com

8 Appendix

8.1 Certificates/safety instructions/control drawing/Ex design

Ser. no.	Description	Document no.
1	EC-Type Examination Certificate	DEKRA 13ATEX0133 X
2	Certificate of Conformity	IECEX DEK 13.0042 X
3	EU-Declaration of Conformity	MEU17053
4	Declaration of Conformity	MDC17005
5	Certificate of Conformity FM	FM17CA0156X FM17US0275X
6	Safety instructions	36931-751-16
7	Safety instructions (FM)	36931-751-08
8	Control drawing (FM)	36931-751-07
9	Ex-Design	36931-750-01

CERTIFICATE

(1) EC-Type Examination

(2) **Equipment and protective systems intended for use in potentially explosive atmospheres - Directive 94/9/EC**

(3) EC-Type Examination Certificate Number: **DEKRA 13ATEX0133 X** Issue Number: **1**

(4) Equipment: **Junction Box, Series PR6130/6... and PR6021/6...**

(5) Manufacturer: **Sartorius Mechatronics T&H GmbH**

(6) Address: **Meiendorfer Strasse 205, Hamburg, Germany**

(7) This equipment and any acceptable variation thereto is specified in the schedule to this certificate and the documents therein referred to.

(8) DEKRA Certification B.V., notified body number 0344 in accordance with Article 9 of the Council Directive 94/9/EC of 23 March 1994, certifies that this equipment has been found to comply with the Essential Health and Safety Requirements relating to the design and construction of equipment and protective systems intended for use in potentially explosive atmospheres given in Annex II to the directive.

The examination and test results are recorded in confidential test report no. NL/DEK/ExTR11.0121/**.

(9) Compliance with the Essential Health and Safety Requirements has been assured by compliance with:

EN 60079-0 : 2012
EN 60079-26 : 2007

EN 60079-11 : 2012
EN 60079-31 : 2009

EN 60079-15 : 2010

(10) If the sign "X" is placed after the certificate number, it indicates that the equipment is subject to special conditions for safe use specified in the schedule to this certificate.

(11) This EC-Type Examination Certificate relates only to the design, examination and tests of the specified equipment according to the Directive 94/9/EC. Further requirements of the directive apply to the manufacturing process and supply of this equipment. These are not covered by this certificate.

(12) The marking of the equipment shall include the following:



II 1 G Ex ia IIC T6/T4 Ga
II 1 D Ex ia IIIC T90°C Da
II 2 D Ex tb IIIC T50°C/T70°C Db
II 3 G Ex nA IIC T6 Gc

This certificate is issued on 13 March 2014 and, as far as applicable, shall be revised before the date of cessation of presumption of conformity of (one of) the standards mentioned above as communicated in the Official Journal of the European Union.

DEKRA Certification B.V.

R. Schuller
Certification Manager

Page 1/3



Integral publication of this certificate and adjoining reports is allowed. This Certificate may only be reproduced in its entirety and without any change.

(13) **SCHEDULE**

(14) **to EC-Type Examination Certificate DEKRA 13ATEX0133 X**

Issue No. 1

(15) **Description**

The Cable Junction Box Type PR6130/64C, PR6130/64Sa, PR6130/65S, PR6130/68S and PR6021/68S serve for connection of various loads (e.g. certified load cells) to their interfaces.

The enclosure provides a degree of protection of at least IP64.

Ambient temperature range: -20 to +60 °C.

Electrical and thermal data:

For intrinsic safe applications:

Input (interface) circuit:

in type of protection intrinsic safety Ex ia IIC/IIIC, only for connection to one certified intrinsically safe circuit, with the following maximum values:

$U_i = 25 \text{ V}$; $I_i =$ see table below; $P_i = \text{any}$, $C_i = 0 \text{ nF}$; $L_i = 0 \text{ }\mu\text{H}$.

The relation between I_i , maximum ambient temperature, temperature class and the maximum surface temperature is specified below.

I_i	Max. ambient temperature	Temperature class	Maximum surface temperature
210 mA	40 °C	T6	T90°C
325 mA	60 °C	T4	T90°C
370 mA	40 °C	T4	T90°C

Output circuit:

The type of protection and the electrical values, are the same as of the connected interface circuit. The values of the internal capacitance (C_i) and inductance (L_i) of the Junction Box are negligibly small.

For non-intrinsically safe applications (marking Ex tb IIIC T50°C/T70°C Db and Ex nA IIC T6 Gc):

$U_{\text{max}} = 25 \text{ V}$.

Each load cell must have a minimum resistance of 300 ohms.

Maximum ambient temperature = 60 °C.

Temperature class = T6

Maximum surface temperature = T50 °C at T_a (40°) and T70 °C at T_a (60°).

(13) **SCHEDULE**

(14) **to EC-Type Examination Certificate DEKRA 13ATEX0133 X**

Issue No. 1

Installation instructions

The instructions provided by the manufacturer shall be followed in detail to assure safe operation of the equipment.

(16) **Test Report**

No. NL/DEK/ExTR11.0121/**.

(17) **Special conditions for safe use**

When applied in type of protection non sparking "Ex nA", a transient protection device shall be set at a level not exceeding 140 % of the peak rated voltage value of 85 V.

For application in environments with combustible dust, electrostatic charging of the plastic label shall be avoided.

The relation between I_{ij} , maximum ambient temperature, temperature class and the maximum surface temperature is specified under (15).

(18) **Essential Health and Safety Requirements**

Assured by compliance with the standards listed at (9).

(19) **Test documentation**

As listed in Test Report No. NL/DEK/ExTR11.0121/**.



IECEX Certificate of Conformity

INTERNATIONAL ELECTROTECHNICAL COMMISSION IEC Certification Scheme for Explosive Atmospheres

for rules and details of the IECEx Scheme visit www.iecex.com

Certificate No.: IECEx DEK 13.0042X

Issue No: 1

Certificate history:

Issue No. 1 (2017-11-26)

Issue No. 0 (2014-03-18)

Status: **Current**

Page 1 of 4

Date of Issue: **2017-11-26**

Applicant: **Minebea Intec GmbH**
Meiendorfer Strasse 205
22145, Hamburg
Germany

Equipment: **Junction Box, Series PR6130/6... and PR6021/6...**

Optional accessory:

Type of Protection: **Ex ia, Ex tb, Ex nA**

Marking:

Ex ia IIC T6/T4 Ga
Ex ia III C T90 °C Da
Ex tb III C T50 °C/T70 °C Db
Ex nA IIC T6 Gc

*Approved for issue on behalf of the IECEx
Certification Body:*

R. Schuller

Position:

Certification Manager

*Signature:
(for printed version)*

Date:

2017-11-26

1. This certificate and schedule may only be reproduced in full.
2. This certificate is not transferable and remains the property of the issuing body.
3. The Status and authenticity of this certificate may be verified by visiting the [Official IECEx Website](http://www.iecex.com).

Certificate issued by:

DEKRA Certification B.V.
Meander 1051,
6825 MJ Arnhem
The Netherlands





IECEX Certificate of Conformity

Certificate No: IECEX DEK 13.0042X Issue No: 1

Date of Issue: 2017-11-26 Page 2 of 4

Manufacturer: **Minebea Intec GmbH**
Meiendorfer Strasse 205
Hamburg
Germany

Additional Manufacturing location(s):

This certificate is issued as verification that a sample(s), representative of production, was assessed and tested and found to comply with the IEC Standard list below and that the manufacturer's quality system, relating to the Ex products covered by this certificate, was assessed and found to comply with the IECEx Quality system requirements. This certificate is granted subject to the conditions as set out in IECEx Scheme Rules, IECEx 02 and Operational Documents as amended.

STANDARDS:

The electrical apparatus and any acceptable variations to it specified in the schedule of this certificate and the identified documents, was found to comply with the following standards:

IEC 60079-0 : 2011 Edition:6.0	Explosive atmospheres - Part 0: General requirements
IEC 60079-11 : 2011 Edition:6.0	Explosive atmospheres - Part 11: Equipment protection by intrinsic safety "i"
IEC 60079-15 : 2010 Edition:4	Explosive atmospheres - Part 15: Equipment protection by type of protection "n"
IEC 60079-26 : 2006 Edition:2	Explosive atmospheres - Part 26: Equipment with equipment protection level (EPL) Ga
IEC 60079-31 : 2008 Edition:1	Explosive atmospheres – Part 31: Equipment dust ignition protection by enclosure 't'

*This Certificate **does not** indicate compliance with electrical safety and performance requirements other than those expressly included in the Standards listed above.*

TEST & ASSESSMENT REPORTS:

A sample(s) of the equipment listed has successfully met the examination and test requirements as recorded in

Test Report:

[NL/DEK/ExTR11.0121/00](#) [NL/DEK/ExTR11.0121/01](#)

Quality Assessment Report:

[DE/PTB/QAR13.0007/02](#)



IECEX Certificate of Conformity

Certificate No: IECEx DEK 13.0042X

Issue No: 1

Date of Issue: 2017-11-26

Page 3 of 4

Schedule

EQUIPMENT:

Equipment and systems covered by this certificate are as follows:

The Cable Junction Box Type PR6130/64C, PR6130/64Sa, PR6130/65S, PR6130/68S and PR6021/68S serve for connection of various loads (e.g. certified load cells) to their interfaces.

The enclosure provides a degree of protection of IP64.

Ambient temperature range: -20 to +60 °C.

For electrical and thermal data, refer to Annex.

SPECIFIC CONDITIONS OF USE: YES as shown below:

When applied in type of protection non sparking "Ex nA", a transient protection device shall be set at a level not exceeding 140 % of the peak rated voltage value of 85 V.

For application in environments with combustible dust, electrostatic charging of the plastic label shall be avoided.

For electrical and thermal data, refer to Annex.



IECEX Certificate of Conformity

Certificate No: IECEx DEK 13.0042X

Issue No: 1

Date of Issue: 2017-11-26

Page 4 of 4

DETAILS OF CERTIFICATE CHANGES (for issues 1 and above):

- Change of Manufacturer name

Annex:

[Annex to IECEx DEK 13.0042 X issue 1.pdf](#)

Annex **to Certificate of Conformity IECEx DEK 13.0042 X, issue 1**
to ExTR report NL/DEK/ExTR11.0121/01

Electrical and thermal data:

For intrinsic safe applications:

Input (interface) circuit:

in type of protection intrinsic safety Ex ia IIC/IIIC, only for connection to one certified intrinsically safe circuit, with the following maximum values:

$U_i = 25 \text{ V}$; $I_i =$ see table below; $P_i = \text{any}$, $C_i = 0 \text{ nF}$; $L_i = 0 \text{ }\mu\text{H}$.

The relation between I_i , maximum ambient temperature, temperature class and the maximum surface temperature is specified below.

I_i	Max. ambient temperature	Temperature class	Maximum surface temperature
210 mA	40 °C	T6	T90 °C
325 mA	60 °C	T4	T90 °C
370 mA	40 °C	T4	T90 °C

Output circuit:

The type of protection and the electrical values are the same as of the connected interface circuit. The values of the internal capacitance (C_i) and inductance (L_i) of the Junction Box are negligibly small.

For non-intrinsically safe applications (marking Ex tb IIIC T50 °C/T70 °C Db and Ex nA IIC T6 Gc):

$U_{\text{max}} = 25 \text{ V}$.

Each load cell must have a minimum resistance of 300 ohms.

Maximum ambient temperature = 60 °C.

Temperature class = T6

Maximum surface temperature = T50 °C at T_a 40 °C and T70 °C at T_a 60 °C.



EU-Declaration of Conformity

MEU17053 Rev. 2



1. Product model / product number / solely valid for project number:

Cable Junction Box / PR 6021 / ----

2. Name and address of the manufacturer (2.1) and his authorized representative (2.2):

2.1 Minebea Intec GmbH, Meiendorfer Straße 205 A, 22145 Hamburg, Germany

2.2 /

3. This declaration of conformity is issued under the sole responsibility of the manufacturer.

4. Object(s) of the declaration:

4.1 PR 6021/08, PR 6021/18

4.2 PR 6021/68S

5. The object(s) of the declaration described above is in conformity with the relevant Union harmonization legislation:

(4.1) (4.2)

5.1 2014/30/EU (6.1) (6.1)

5.2 2011/65/EU (6.2) (6.2)

5.3 2014/34/EU (6.3)

6. References to the relevant harmonized standards used or references to the other technical specifications in relation to which conformity is declared:

6.1 2014/30/EU EN 61326-1:2013

6.2 2011/65/EU EN 50581:2012

6.3 2014/34/EU EN 60079-0:2012+A11:2013, EN 60079-11:2012, EN 60079-15:2010, EN 60079-26:2015, EN 60079-31:2014

7. The notified body w performed x and issued the certificate y relevant for z:

	w	x	y	z
7.1	0344	EC-Type Examination Certificate	DEKRA 13ATEX0133 X	(4.2)
7.2	0102	Production Quality Assessment Notification	PTB 02 ATEX Q010	(4.2)

Minebea Intec GmbH
Hamburg, 10. Jan. 2018

Dr. Bodo Krebs
President

Oliver Freitag
CE Certification

Torben Hiller
Ex Approval Manager




EU-Declaration of Conformity

MEU17053 Rev. 2



A. Additional information on ():

A.1	(4.2)	Marking		II 1D Ex ia IIIC T90°C Da II 1G Ex ia IIC T6/T4 Ga II 2D Ex tb IIIC T50°C/T70°C Db II 3G Ex nA IIC T6 Gc
A.2	(6.3)	The above-mentioned product is in line with the requirements of the directive 2014/34/EU. One or more of the European Standards mentioned are already replaced by new editions. The manufacturer declares that the product also complies with these new editions, as the changed requirements of the new Standards do not affect the product.		



EU-Declaration of Conformity

MEU17053 Rev. 2



български (bg)
 Декларация за съответствие
 1. Модел на продукта / Номер на продукта / валидно само за номера на проекта:
 2. Наименование и адрес на производителя (2.1) и на неговия упълномощен представител (2.2):
 3. Настоящата декларация за съответствие е издадена на отговорността на производителя.
 4. Предмет(и) на декларацията:
 5. Предметът (ите) на декларацията, описан(и) по-горе отговаря(т) на съответното законодателство на Съюза за хармонизация:
 6. Позоваване на използваните хармонизирани стандарти или позоваване на други технически спецификации, по отношение на които се декларира съответствие:
 7. Нотифицираният орган в извърши х и издаде сертификата у, отнасящ се за:
 А. Допълнителна информация за ():
 А.1 Маркировка
 А.2 Горепосоченият продукт съответства на изискванията на Директива 2014/34/ЕС. Един или повече от упоменатите европейски стандарти вече са заменени от нови издания. Производителят декларира, че продуктът съответства и на тези нови издания, тъй като променените изисквания на новите стандарти не засягат продукта.

čeština (cs)
 Prohlášení o shodě
 1. Model výrobku / číslo výrobku / platné pouze pro číslo projektu:
 2. Jméno a adresa výrobce (2.1) a jeho zplnomocněného zástupce (2.2):
 3. Toto prohlášení o shodě se vydává na výhradní odpovědnost výrobce.
 4. Předmět(y) prohlášení:
 5. Výše popsaný předmět / Výše popsané předměty prohlášení je/jsou ve shodě s příslušnými harmonizačními právními předpisy Unie:
 6. Odkazy na příslušné harmonizované normy, které byly použity, nebo na jiné technické specifikace, na jejichž základě se shoda prohlašuje:
 7. Oznamovaný subjekt v provedl x a vydal certifikát y relevantní z hlediska z:
 А. Další informace o ():
 А.1 Označení
 А.2 Výše uvedené výrobek je v souladu s požadavky směrnice Evropského parlamentu a Rady 2014/34/EU. Jedna nebo více uvedených evropských norem již byly nahrazeny novými vydáními. Výrobce prohlašuje, že výrobek je v souladu i s těmito novými vydáními, neboť upravené požadavky těchto nových norem nemají na výrobek vliv.

dansk (da)
 Overensstemmelseserklæring
 1. Produktmodel / produktnummer / gælder kun for projektnummer:
 2. Fabrikantens (2.1) og dennes bemyndigede repræsentants (2.2) navn og adresse:
 3. Denne overensstemmelseserklæring udstedes på fabrikantens ansvar.
 4. Genstand(ene) for erklæringen:
 5. Genstand(ene) for erklæringen, som beskrevet ovenfor, er i overensstemmelse med den relevante EU-harmoniseringslovgivning:
 6. Referencer til de relevante anvendte harmoniserede standarder eller til de andre tekniske specifikationer, som der erklæres overensstemmelse med:
 7. Det bemyndigede organ w har foretaget x og udstedt atesten y, der gælder for z:
 А. Supplerende oplysninger om ():
 А.1 Mærkning
 А.2 Ovenstående produkt opfylder kravene i direktiv 2014/34/EU. En eller flere af de anførte europæiske standarder er allerede blevet erstattet af nye udgaver. Fabrikanten erklærer, at produktet også er i overensstemmelse med de nye udgaver, idet de ændrede krav i de nye standarder ikke berører produktet.

Deutsch (de)
 Konformitätserklärung
 1. Produktmodell / Produktnummer / gilt ausschließlich für Projekt-Nr.:
 2. Name und Anschrift des Herstellers (2.1) und seines Bevollmächtigten (2.2):
 3. Die alleinige Verantwortung für die Ausstellung dieser Konformitätserklärung trägt der Hersteller.
 4. Gegenstände der Erklärung:
 5. Die oben beschriebenen Gegenstände der Erklärung erfüllen die einschlägigen Harmonisierungsrechtsvorschriften der Union:
 6. Angabe der einschlägigen harmonisierten Normen oder der anderen technischen Spezifikationen, die der Konformitätserklärung zugrunde gelegt wurden:
 7. Die notifizierte Stelle w hat x und die für z relevante Bescheinigung y ausgestellt:
 А. Zusatzangaben zu ():
 А.1 Kennzeichnung
 А.2 Das oben genannte Produkt erfüllt die Anforderungen der Richtlinie 2014/34/EU. Mindestens eine der aufgeführten europäischen Normen ist bereits durch eine neue Ausgabe ersetzt worden. Der Hersteller erklärt, dass das Produkt mit diesen neuen Ausgaben ebenfalls konform ist, da die geänderten Anforderungen der neuen Normen das Produkt nicht betreffen.

Ελληνικά (el)
 Δήλωση συμμόρφωσης
 1. Μοντέλο προϊόντος / αριθμός προϊόντος / ισχύει μόνο για τον αριθμό του έργου:
 2. Όνομα και διεύθυνση του κατασκευαστή (2.1) και του εξουσιοδοτημένου αντιπροσώπου του (2.2):
 3. Η παρούσα δήλωση συμμόρφωσης εκδίδεται με αποκλειστική ευθύνη του κατασκευαστή.
 4. Στόχος της δήλωσης:
 5. Ο στόχος της δήλωσης που περιγράφεται παραπάνω είναι σύμφωνος με τη σχετική ενωσιακή νομοθεσία εναρμόνισης:
 6. Παραπομπές στα σχετικά εναρμονισμένα πρότυπα που χρησιμοποιήθηκαν ή παραπομπές στις λοιπές τεχνικές προδιαγραφές σε σχέση με τις οποίες δηλώνεται η συμμόρφωση:
 7. Ο κοινοποιημένος οργανισμός w διεξήγγε x και εξέδωσε το πιστοποιητικό y όπως απαιτείται για z:
 А. Πρόσθετες πληροφορίες σχετικά με ():
 А.1 Σήμανση
 А.2 Το προαναφερθέν προϊόν συμμορφώνεται με τις απαιτήσεις της οδηγίας 2014/34/ΕΕ. Ένα ή περισσότερα από τα αναφερόμενα ευρωπαϊκά πρότυπα έχουν αντικατασταθεί ήδη από νέες εκδόσεις. Ο κατασκευαστής δηλώνει ότι το προϊόν συμμορφώνεται επίσης με τις εν λόγω νέες εκδόσεις, καθώς οι τροποποιημένες απαιτήσεις των νέων προτύπων δεν επηρεάζουν το προϊόν.

español (es)
 Declaración de conformidad
 1. Modelo de producto/número de producto / únicamente válido para el número de proyecto:2.
 Nombre y dirección del fabricante (2.1) y de su representante autorizado (2.2):
 3. La presente declaración de conformidad se expide bajo la exclusiva responsabilidad del fabricante.
 4. Objeto(s) de la declaración:
 5. El/Los objeto(s) de la declaración descritos anteriormente son conformes con la legislación de armonización pertinente de la Unión Europea:
 6. Referencias a las normas armonizadas pertinentes utilizadas o referencias a las otras especificaciones técnicas respecto a las cuales se declara la conformidad:
 7. El organismo notificado W ha efectuado X y expedido el certificado Y relevante para Z:
 А. Información adicional en ():
 А.1 Marcado
 А.2 El producto mencionado anteriormente cumple con los requisitos de la directiva 2014/34/UE. Una o más de las normas europeas mencionadas ya se han substituido por nuevas ediciones. El fabricante declara que el producto también cumple con estas nuevas ediciones, ya que los requisitos modificados de las nuevas normas no afectan al producto.



EU-Declaration of Conformity



MEU17053 Rev. 2

eesti keel (et)	français (fr)	hrvatski (hr)
<p>Vastavusdeklaratsioon</p> <p>1. Tootemudel / tootenumber / kehtib vaid järgmise projekti puhul:</p> <p>2. Tootja nimi ja aadress (2.1) ning tema volitatud esindaja (2.2):</p> <p>3. Käesolev vastavusdeklaratsioon on välja antud tootja ainuvastutusel.</p> <p>4. Deklareeritav toode:</p> <p>5. Ülalkirjeldatud deklareeritav toode on kooskõlas asjaomaste liidu ühtlustamisaktidega:</p> <p>6. Viited kasutatud harmoneeritud standarditele või viited muudele tehnilistele spetsifikatsioonidele, millele vastavust deklareeritakse:</p> <p>7. Teavitatud asutus w teostas x ja andis välja tõendi z, mis on asjakohane y-le:</p> <p>A. Lisateave järgmise kohta ():</p> <p>A.1 Märgistus</p> <p>A.2 Ülalmainitud toode on kooskõlas direktiivi 2014/34/EL nõuetega. Üks või mitu nimetatud Euroopa standardit on asendatud juba uute väljaannetega. Tootja kinnitab, et toode on kooskõlas ka nende uute väljaannetega, kuna uute standardite muudetud nõuded ei mõjuta toodet.</p>	<p>Déclaration de conformité</p> <p>1. Modèle / numéro de produit / valable uniquement pour le numéro de projet:</p> <p>2. Nom et adresse du fabricant (2.1) et de son mandataire (2.2) :</p> <p>3. La présente déclaration de conformité est établie sous la seule responsabilité du fabricant.</p> <p>4. Objet(s) de la déclaration :</p> <p>5. Le ou les objets de la déclaration décrite ci-dessus est/sont conforme(s) à la législation d'harmonisation de l'Union applicable :</p> <p>6. Références des normes harmonisées pertinentes appliquées ou des autres spécifications techniques par rapport auxquelles la conformité est déclarée :</p> <p>7. L'organisme notifié w a effectué x et a établi l'attestation y applicable à z :</p> <p>A. Informations complémentaires relatives à () :</p> <p>A.1 Marquage</p> <p>A.2 Le produit susmentionné est conforme aux exigences de la directive 2014/34/UE. Une ou plusieurs des normes européennes mentionnées ont déjà été remplacées par de nouvelles éditions. Le fabricant déclare que le produit est également conforme à ces nouvelles éditions, dans la mesure où les exigences modifiées des nouvelles normes n'affectent pas le produit.</p>	<p>Izjava o sukladnosti</p> <p>1. Model proizvoda / broj proizvoda / vrijedi samo za broj projekta:</p> <p>2. Naziv i adresa proizvođača (2.1) i njegovog ovlaštenog zastupnika (2.2):</p> <p>3. Za izdavanje ove izjave o sukladnosti odgovoran je isključivo proizvođač.</p> <p>4. Predmet(i) izjave:</p> <p>5. Predmet(i) navedene izjave je/su u skladu s mjerodavnim zakonodavstvom Unije o uskladjivanju:</p> <p>6. Pozivanja na relevantne primjenjene usklađene norme ili pozivanja na ostale tehničke specifikacije u vezi s kojima se izjavljuje sukladnost:</p> <p>7. Prijavljeno tijelo w provelo je x i izdalo certifikat y koji je relevantan za z:</p> <p>A. Dodatne informacije o proizvodu ():</p> <p>A.1 Označavanje</p> <p>A.2 Prethodno navedeni proizvod u skladu je sa zahtjevima Direktive 2014/34/EU. Jedna ili više navedenih europskih normi već je zamijenjeno novim izdanjima. Proizvođač izjavljuje da je proizvod u skladu i s tim novim izdanjima, jer se izmijenjeni zahtjevi tih novih normi ne odnose na proizvod.</p>
magyar (hu)	italiano (it)	Latvių kalba (lt)
<p>Megfelelőségi nyilatkozat</p> <p>1. Termékmodell / termékszám / kizárólag az alábbi projektszámhoz érvényes:</p> <p>2. A gyártó (2.1) vagy adott esetben meghatalmazott képviselőjének (2.2) neve és címe:</p> <p>3. Ezt a megfelelőségi nyilatkozatot a gyártó kizárólagos felelőssége mellett adják ki.</p> <p>4. A nyilatkozat tárgya(i):</p> <p>5. A fent ismertetett nyilatkozat tárgya megfelel a vonatkozó uniós harmonizációs jogszabályoknak:</p> <p>6. Az alkalmazott harmonizált szabványokra való hivatkozás vagy az azokra az egyéb műszaki leírásokra való hivatkozás, amelyekkel kapcsolatban megfelelőségi nyilatkozatot tettek:</p> <p>7. A(z) w bejelentett szervezet elvégezte a(z) x eljárást, és kiállította a(z) z kapcsolódó y tanúsítványát:</p> <p>A. További információk ():</p> <p>A.1 Jelölés</p> <p>A.2 A fentebb megnevezett termék megfelel a 2014/34/EU irányelvben foglalt követelményeknek. Egy vagy több említett Európai szabvány a kiállítás óta frissült. A gyártó kijelenti, hogy a termék megfelel a szabványok legújabb kiadásában foglalt követelményeknek, mivel a szabvány módosításai nem érintik az adott terméket.</p>	<p>Dichiarazione di conformità</p> <p>1. Modello di prodotto / numero di prodotto / valido unicamente per numero di progetto:</p> <p>2. Nome e indirizzo del fabbricante (2.1) e del relativo rappresentante autorizzato (2.2):</p> <p>3. La presente dichiarazione di conformità è rilasciata sotto la responsabilità esclusiva del fabbricante.</p> <p>4. Oggetto/i della dichiarazione:</p> <p>5. L'oggetto o gli oggetti della dichiarazione di cui sopra sono conformi alla pertinente normativa di armonizzazione dell'Unione:</p> <p>6. Riferimento alle pertinenti norme armonizzate utilizzate o riferimenti alle altre specifiche tecniche in relazione alle quali è dichiarata la conformità:</p> <p>7. L'organismo notificato w ha effettuato x e rilasciato il certificato y pertinente a z:</p> <p>A. Informazioni aggiuntive su ():</p> <p>A.1 Marcatura</p> <p>A.2 Il prodotto menzionato in precedenza è conforme alle prescrizioni della direttiva 2014/34/UE. Una o più norme UE menzionate sono già state sostituite da nuove versioni. Il fabbricante dichiara che il prodotto è conforme anche alle nuove versioni in quanto le prescrizioni modificate delle nuove norme non interessano il prodotto.</p>	<p>Atitikties deklaracija</p> <p>1. Gaminio modelis / gaminio numeris / galioja tik projekto numeriui:</p> <p>2. Gamintojo (2.1) ir jo įgaliotojo atstovo (2.2) pavadinimas ir adresas:</p> <p>3. Ši atitikties deklaracija išduota tik gamintojo atsakomybe.</p> <p>4. Deklaracijos objektas (objektai):</p> <p>5. Pirmiau aprašytas deklaracijos objektas (objektai) atitinka susijusius derinamuosius Sąjungos teisės aktus:</p> <p>6. Susijusių taikytų darniųjų standartų nuorodos arba kitų techninių specifikacijų, pagal kurias buvo deklaruota atitiktis, nuorodos:</p> <p>7. Notifikuotoji įstaiga w atliko x ir išdavė sertifikata y del z:</p> <p>A. Papildoma informacija ():</p> <p>A.1 Ženklimas</p> <p>A.2 Pirmiau nurodytas gaminys atitinka Direktyvos 2014/34/ES reikalavimus. Vienas ar keli nurodyti Europos standartai jau pakeisti nauja redakcija. Gamintojas patvirtina, kad gaminys taip pat atitinka naująją redakciją, nes pakeisti naujųjų standartų reikalavimai gaminiui poveikio neturi.</p>



EU-Declaration of Conformity

MEU17053 Rev. 2



latviešu valoda (lv)	malta (mt)	nederlands (nl)
<p>Atbilstības deklarācija</p> <p>1. Produkta modelis / produkta numurs / derīgs tikai projektam Nr.:</p> <p>2. Ražotāja (2.1.) un tā pilnvarotā pārstāvja (2.2.) nosaukums un adrese:</p> <p>3. Šī atbilstības deklarācija ir izdota vienīgi uz ražotāja atbildību.</p> <p>4. Deklarācijas priekšmets vai priekšmeti:</p> <p>5. Iepriekš aprakstītais deklarācijas priekšmets vai priekšmeti atbilst attiecīgajam Savienības saskaņošanas tiesību aktam:</p> <p>6. Atsauces uz attiecīgajiem izmantojamiem saskaņotajiem standartiem vai uz citām tehniskajām specifikācijām, attiecībā uz ko tiek deklarēta atbilstība:</p> <p>7. Paziņotā struktūra v ir veikusi x un izsniegusi sertifikātu y, kas attiecas uz z:</p> <p>A. Papildu informācija par ():</p> <p>A.1. Marķējums</p> <p>A.2. Iepriekš minētais produkts atbilst Direktīvas 2014/34/ES prasībām. Viens vai vairāki no minētajiem Eiropas standartiem jau ir aizstāti ar jaunām versijām. Ražotājs apliecina, ka produkts atbilst arī šīm jaunajām versijām, jo jauno standartu mainītās prasības neietekmē produktu.</p>	<p>malta (mt)</p> <p>Dikjarazzjoni ta' konformità</p> <p>1. Mudell tal-prodott / numru tal-prodott / validu biss ghan-numru tal-progett:</p> <p>2. L-isem u l-indirizz tal-manifattur (2.1) u tar-rappreżentant awtorizzat tieghu (2.2):</p> <p>3. Din id-dikjarazzjoni ta' konformità tinhareg taht ir-responsabbiltà unika tal-manifattur.</p> <p>4. L-ghan(ijiet) tad-dikjarazzjoni:</p> <p>5. L-ghan(ijiet) tad-dikjarazzjoni deskritt(i) hawn fuq huwa(huma) konformi mal-legislazzjoni ta' armonizzazzjoni rilevanti tal-Unjoni:</p> <p>6. Ir-referenzi għall-istandards armonizzati rilevanti li ntużaw, jew ir-referenzi għall-ispeċifikazzjonijiet tekniċi l-oħra li skonthom qed tiġi ddikjarata l-konformità:</p> <p>7. Il-korp notifikat w wettaq x u hareġ iċ-ċertifikat y rilevanti għal z:</p> <p>A. Informazzjoni addizzjonali fuq ():</p> <p>A.1 Immarkar</p> <p>A.2 Il-prodott msemmi hawn fuq huwa f'konformità mar-rekwiżiti tad-Direttiva 2014/34/UE. Wiehed jew aktar mill-Istandards Ewropej imsemmija diġà ġew sostitwiti b'edizzjonijiet godda biss. Il-manifattur jiddikjara li l-prodott huwa konformi wkoll ma' dawn l-edizzjonijiet godda, għax ir-rekwiżiti tal-Istandards il-godda ma jaffettwawx il-prodott</p>	<p>nederlands (nl)</p> <p>Conformiteitsverklaring</p> <p>1. Productmodel / productnummer / uitsluitend geldig voor projectnummer:</p> <p>2. Naam en adres van de fabrikant (2.1) en zijn gemachtigde (2.2):</p> <p>3. Deze conformiteitsverklaring wordt verstrekt onder volledige verantwoordelijkheid van de fabrikant.</p> <p>4. Voorwerp(en) van de verklaring:</p> <p>5. Het (de) hierboven beschreven voorwerp(en) is (zijn) in overeenstemming met de desbetreffende harmonisatiewetgeving van de Unie:</p> <p>6. Vermelding van de toegepaste relevante geharmoniseerde normen of van de overige technische specificaties waarop de conformiteitsverklaring betrekking heeft:</p> <p>7. De aangemelde instantie w heeft een x uitgevoerd en het certificaat y verstrekt dat relevant is voor z:</p> <p>A. Aanvullende informatie over ():</p> <p>A.1 Markering</p> <p>A.2 Het bovengenoemde product voldoet aan de eisen van Richtlijn 2014/34/EU. Een of meer van de genoemde Europese normen zijn inmiddels vervangen door nieuwe versies. De fabrikant verklaart dat het product ook aan deze nieuwe versies voldoet, aangezien de gewijzigde eisen van de nieuwe normen geen gevolgen hebben voor het product.</p>
<p>polski (pl)</p> <p>Deklaracja zgodności</p> <p>1. Model produktu / numer produktu / ważny wyłącznie dla projektu o numerze:</p> <p>2. Nazwa i adres producenta (2.1) oraz jego upoważnionego przedstawiciela (2.2):</p> <p>3. Niniejsza deklaracja zgodności wydana zostaje na wyłączną odpowiedzialność producenta.</p> <p>4. Przedmiot(-y) deklaracji:</p> <p>5. Wymieniony powyżej przedmiot (lub przedmioty) niniejszej deklaracji jest zgodny z odnośnymi wymaganiami unijnego prawodawstwa harmonizacyjnego:</p> <p>6. Odwołania do odnośnych norm zharmonizowanych, które zastosowano, lub do innych specyfikacji technicznych, w stosunku do których deklarowana jest zgodność:</p> <p>7. Jednostka notyfikowana w przeprowadziła x i wydała certyfikat y odpowiedni dla z:</p> <p>A. Informacje dodatkowe o ():</p> <p>A.1 Oznakowanie</p> <p>A.2 Wyżej wymieniony produkt jest zgodny z wymaganiami Dyrektywy 2014/34/UE. Co najmniej jedna wymieniona norma europejska została już zastąpiona nowym wydaniem. Producent oświadcza, że produkt spełnia wymagania także takich nowych wydań norm, gdyż zmienione wymagania zawarte w nowych normach nie mają wpływu na produkt.</p>	<p>português (pt)</p> <p>Declaração de conformidade</p> <p>1. Modelo do produto / número do produto / somente válido para o número de projeto:</p> <p>2. Nome e endereço do fabricante (2.1) e do seu mandatário (2.2):</p> <p>3. A presente declaração de conformidade é emitida sob a exclusiva responsabilidade do fabricante.</p> <p>4. Objeto(s) da declaração:</p> <p>5. O(s) objeto(s) da declaração acima descrito(s) está(ão) em conformidade com a legislação aplicável de harmonização da União:</p> <p>6. Referências às normas harmonizadas aplicáveis utilizadas ou às outras especificações técnicas em relação às quais é declarada a conformidade:</p> <p>7. O organismo notificado w realizou x e emitiu o certificado y relevante para z:</p> <p>A. Informações complementares relativa a ():</p> <p>A.1 Marcação</p> <p>A.2 O produto acima mencionado está em consonância com os requisitos da diretiva 2014/34/UE. Uma ou mais das Normas Europeias mencionadas acima já foram substituídas por novas edições. O fabricante declara que o produto também está em conformidade com essas novas edições, uma vez que os requisitos alterados dessas novas Normas não afetam o produto.</p>	<p>română (ro)</p> <p>Declarație de conformitate</p> <p>1. Modelul de produs / Număr produs / valabil numai pentru numărul proiectului:</p> <p>2. Denumirea și adresa producătorului (2.1) și a reprezentantului său autorizat (2.2):</p> <p>3. Prezenta declarație de conformitate este emisă pe răspunderea exclusivă a producătorului.</p> <p>4. Obiectul (obiectele) declarației:</p> <p>5. Obiectul (obiectele) declarației descrise mai sus sunt în conformitate cu legislația relevantă de armonizare a Uniunii:</p> <p>6. Trimiteri la standardele armonizate relevante folosite sau trimiteri la celelalte specificații tehnice în legătură cu care se declară conformitatea:</p> <p>7. Organismul notificat w a efectuat x și a emis certificatul y corespunzător pentru z:</p> <p>A. Informații suplimentare despre ():</p> <p>A.1 Marcaj</p> <p>A.2 Produsul menționat anterior respectă cerințele directivei 2014/34/UE. Unul sau mai multe din standardele europene menționate sunt deja înlocuite de noi ediții. Producătorul declară faptul că produsul respectă de asemenea aceste noi ediții, așadar cerințele modificate ale noilor standarde nu afectează produsul.</p>



EU-Declaration of Conformity

MEU17053 Rev. 2



slovenčina (sk)	slovenščina (sl)	suomi (fi)
<p>Vyhlasenie o zhode</p> <ol style="list-style-type: none">1. Model výrobku / číslo výrobku / platné len pre číslo projektu:2. Meno/názov a adresa výrobcu (2.1) a jeho splnomocneného zástupcu (2.2):3. Toto vyhlásenie o zhode sa vydáva na vlastnú zodpovednosť výrobcu.4. Predmet(-y) vyhlásenia:5. Uvedený predmet či uvedené predmety vyhlásenia sú v zhode s príslušnými harmonizačnými právnymi predpismi Únie:6. Odkazy na príslušné použité harmonizované normy alebo odkazy na iné technické špecifikácie, v súvislosti s ktorými sa zhoda vyhlasuje:7. Notifikovaný orgán v vykonal x a vydal certifikát y relevantný pre z: A. Doplňujúce informácie o (): A.1 Označenie A.2 Vyššie uvedený výrobok je v súlade s požiadavkami smernice 2014/34/EÚ. Jedna alebo viaceré z uvedených európskych noriem sú už nahradené novými vydaniaми. Výrobca vyhlasuje, že výrobok je v zhode aj s týmito novými vydaniaми, pretože zmenené požiadavky nových noriem nemajú na výrobok vplyv.	<p>Izjava o skladnosti</p> <ol style="list-style-type: none">1. Model proizvoda / serijska številka proizvoda / veljavno samo za številko projekta:2. Ime in naslov proizvajalca (2.1) ter njegovega pooblaščenega zastopnika (2.2):3. Za izdajo te izjave o skladnosti je odgovoren izključno proizvajalec.4. Predmet(i) izjave:5. Predmet(i) navedene izjave je (so) v skladu z ustrežno zakonodajo Unije o harmonizaciji:6. Sklicevanja na uporabljene ustrezne harmonizirane standarde ali sklicevanja na druge tehnične specifikacije v zvezi s skladnostjo, ki je navedena v izjavi:7. Priglašeni organ v je izvedel x in izdal certifikat y, pomemben za z: A. Dodatne informacije o (): A.1 Oznaka A.2 Zgoraj navedeni proizvod je v skladu z zahtevami direktive 2014/34/EU. Enega ali več omenjenih evropskih standardov so že nadomestile nove izdaje. Proizvajalec izjavlja, da je proizvod skladen s temi novimi izdajami, saj spreminjene zahteve novih standardov ne vplivajo na proizvod.	<p>Vaatumustenmukaisuusvakuutus</p> <ol style="list-style-type: none">1. Tuotemalli / tuotenumero / koskee vain projektinumeroa:2. Valmistajan (2.1) ja valtuutetun edustajan (2.2) nimi ja osoite:3. Tämä vaatimustenmukaisuusvakuutus on annettu valmistajan yksinomaisella vastuulla.4. Vakuutuksen kohde (kohteet):5. Edellä kuvattu (kuvatut) vakuutuksen kohde (kohteet) on (ovat) asiaa koskevan unionin yhdenmukaistamislainsäädännön vaatimusten mukainen (mukaisia):6. Viittaus niihin asiaa koskeviin yhdenmukaistettuihin standardeihin, joita on käytetty, tai viittaus muihin tekniisiin eritelmiin, joiden perusteella vaatimustenmukaisuusvakuutus on annettu:7. Ilmoitettu laitos w suorititi x ja antoi todistuksen y liittyen z: A. Lisätietoja (): A.1 Merkintä A.2 Yllä mainittu tuote vastaa direktiivin 2014/34/EU vaatimuksia. Yksi tai useampi mainituista eurooppalaisista standardeista on jo korvattu uusilla painoksilla. Valmistaja vakuuttaa, että tuote vastaa myös näitä uusia painoksia, koska uusien standardien muutetut määräykset eivät vaikuta tuotteeseen.
<p>svenska (sv)</p> <p>Försäkran om överensstämmelse</p> <ol style="list-style-type: none">1. Produktmodell / produktnummer / gäller endast för projektnummer:2. Tillverkarens namn och adress (2.1) och dess auktoriserade representant (2.2):3. Denna försäkran om överensstämmelse utfärdas på tillverkarens eget ansvar.4. Föremål för försäkran:5. Föremålet/föremålen för försäkran ovan överensstämmer med den relevanta harmoniserade unionslagstiftningen:6. Hänvisningar till de relevanta harmoniserade standarder som använts eller hänvisningar till de andra tekniska specifikationer enligt vilka överensstämmelsen försäkras:7. Det anmälda organet w har utfört x och utfärdat intyget y relevant för z: A. Ytterligare information om (): A.1 Märkning A.2 Ovan nämnda produkt är i linje med kraven i direktiv 2014/34/EU. En eller flera av de nämnda europeiska standarderna har redan ersatts av nya upplagor. Tillverkaren försäkrar att produkten även överensstämmer med dessa nya upplagor, då de ändrade kraven i de nya standarderna inte påverkar produkten.		

Konformitätserklärung

Declaration of conformity

Die Firma
The Company

Minebea Intec GmbH
Meiendorfer Straße 205A
22145 Hamburg, Germany

erklärt hiermit, dass folgende Geräte den angegebenen IP-Schutzarten entsprechen
declares that the following devices fulfill the requirement of the mentioned IP ratings

Gerät <i>Device</i>	Beschreibung <i>Description</i>	IP-Schutzart <i>IP rating</i>
PR 6021/08	Kabelverbindungskasten <i>Cable junction box</i>	IP68 / IP69
PR 6021/18	Kabelverbindungskasten <i>Cable junction box</i>	IP68 / IP69
PR 6021/68S	Kabelverbindungskasten <i>Cable junction box</i>	IP68 / IP69
PR 6024/6X	Kabelverbindungskasten <i>Cable junction box</i>	IP66 / IP68 / IP69
PR 6130/08	Kabelverbindungskasten <i>Cable junction box</i>	IP65
PR 6130/04N	Kabelverbindungskasten <i>Cable junction box</i>	IP67
PR 6130/3x	Kabelverbindungskasten <i>Cable junction box</i>	IP68 / IP69
PR 6130/6x	Kabelverbindungskasten <i>Cable junction box</i>	IP68 / IP69

Minebea Intec GmbH
Hamburg, 27.07.2017



Marcel Pfnister
Product Manager



Torben Hiller
Product Compliance Manager

CERTIFICATE OF CONFORMITY



- HAZARDOUS LOCATION ELECTRICAL EQUIPMENT PER CANADIAN REQUIREMENTS**
- Certificate No:** FM17CA0156X
- Equipment:** PR 6130/6[a][b] and PR 6021/68S Cable Junction Box
(Type Reference and Name) PR 6130/64Sa-Temp, PR 6130/64C-Temp and PR 6130/65S-Temp Cable Junction Box PR 6130/68S-Temp and PR 6021/68S-Temp Cable Junction Box
- Name of Listing Company:** Minebea Intec GmbH
- Address of Listing Company:** Meiendorfer Str. 205A
22145 Hamburg
Germany
- The examination and test results are recorded in confidential report number:

3051617C dated 8th August 2014
- FM Approvals LLC, certifies that the equipment described has been found to comply with the following Approval standards and other documents:

CAN/CSA-C22.2 No. 142-M1987:2004, CAN-C22.2 No. 157-92:2012, CAN C22.2 No. 213-M1987: 2013, C22.2 No. 25:2009, C22.2 No. 1010.1:2004, CAN/CSA-C22.2 No. 60529-05:2010, CAN/CSA-C22.2 No. 94-M91:2011, CAN/CSA-C22.2 No. 60079-0:2011, CAN/CSA-C22.2 No. 60079-11:2014
- If the sign 'X' is placed after the certificate number, it indicates that the equipment is subject to specific conditions of use specified in the schedule to this certificate.
- This certificate relates to the design, examination and testing of the products specified herein. The FM Approvals surveillance audit program has further determined that the manufacturing processes and quality control procedures in place are satisfactory to manufacture the product as examined, tested and Approved.

Certificate issued by:

J. E. Marquedant
VP, Manager - Electrical Systems

7 May 2019

Date

To verify the availability of the Approved product, please refer to www.approvalguide.com

THIS CERTIFICATE MAY ONLY BE REPRODUCED IN ITS ENTIRETY AND WITHOUT CHANGE

FM Approvals LLC. 1151 Boston-Providence Turnpike, Norwood, MA 02062 USA
T: +1 (1) 781 762 4300 F: +1 (1) 781 762 9375 E-mail: information@fmapprovals.com www.fmapprovals.com

SCHEDULE



Canadian Certificate Of Conformity No: FM17CA0156X

10. Equipment Ratings:

Intrinsically safe for Class I, II and III, Division 1, Groups A, B, C, D, E, F and G hazardous (classified) locations; Intrinsically safe for Class I, Zone 0, Group IIC hazardous (classified) locations; Nonincendive for Class I, Division 2, Groups A, B, C, and D, hazardous (classified) locations; Suitable for Class II and III, Division 2 hazardous (classified) locations. Temperature classification T4. Ambient temperature range - 20°C to +60°C for PR 6130/6ab and PR 6021/68S, -30°C to +60°C for PR6130/64Sa-Temp, PR6130/64C-Temp and PR6130/65S-Temp and -40°C to 60°C for PR6130/68S-Temp and PR6021/68S-Temp. Indoor and outdoor Type 4X and IP6x.

11. The marking of the equipment shall include:

PR 6130/6[a][b] and PR 6021/68S Cable Junction Box

IS CL I, II, III, DIV 1, GP A,B,C,D,E,F,G T4 - 36931-751-07; 4X, IP6x

NI CL I, DIV 2, GP A,B,C,D, T4; 4X, IP6x

DIP CL II, DIV 2, GP E,F,G T4; 4X, IP6x

CL I, Zone 0, Ex ia IIC T4 - 36931-751-07; 4X, IP6x

T4 Ta= -20°C to 60°C

PR 6130/64Sa-Temp, PR 6130/64C-Temp and PR 6130/65S-Temp Cable Junction Box

IS CL I, II, III, DIV 1, GP A,B,C,D,E,F,G T4 - 36931-731-07; 4X, IP6x

NI CL I, DIV 2, GP A,B,C,D, T4; 4X, IP6x

DIP CL II, DIV 2, GP E,F,G T4; 4X, IP6x

CL I, Zone 0, Ex ia IIC T4 - 36931-731-07; 4X, IP6x

T4 Ta= -30°C to 60°C

PR 6130/68S-Temp and PR 6021/68S-Temp Cable Junction Box

IS CL I, II, III, DIV 1, GP A,B,C,D,E,F,G T4 - 36931-721-07; 4X, IP6x

NI CL I, DIV 2, GP A,B,C,D, T4; 4X, IP6x

DIP CL II, DIV 2, GP,E,F,G T4; 4X, IP6x

CL I, Zone 0, Ex ia IIC T4 - 36931-721-07; 4X, IP6x

T4 Ta= -40°C to 60°C

12. **Description of Equipment:**

General - The Cable Junction Boxes are designed to interconnect up to 8 load cells and then connect this arrangement to the interface of an evaluation unit (e.g. indicator).

Construction - The Cable Junction Boxes series PR 6130/6... and PR 6021/6... consist of stainless steel housings with ingress protection IP6x in accordance with ANSI/IEC 60529 and Type 4X. All screws, flat and lock washers are also made of stainless steel.

Ratings

Operation Temperature Ranges:

The ambient operating temperature range of the Cable Junction Boxes PR 6130/6ab and PR 6021/68S is up to -20°C to +60°C.

The ambient operating temperature range of the Cable Junction Boxes PR 6130/64Sa-Temp, PR 6130/64C-Temp and PR 6130/65S-Temp Cable Junction Box is up to -30°C to +60°C.

THIS CERTIFICATE MAY ONLY BE REPRODUCED IN ITS ENTIRETY AND WITHOUT CHANGE

SCHEDULE



Canadian Certificate Of Conformity No: FM17CA0156X

The ambient operating temperature range of the PR 6130/68S-Temp and PR 6021/68S-Temp Cable Junction Box is up to -40°C to +60°C.

Electrical Data:

For intrinsic safety, the Cable Junction Boxes are assigned the following input parameters:
 $U_i \leq 25V$, $I_i \leq 370mA$, $P_i = \text{any}$, $C_i = 0$, $L_i = 0$

For all other protection techniques, the electronic connection has the following values:
 $U_i \leq 25V$, $I_i \leq 370mA$, $P_i = \text{any}$

PR 6130/6[a][b] and PR 6021/68S Cable Junction Box

[a] = Size; 4, 5 or 8

[b] = S, Sa or C

PR 6130/64Sa-Temp, PR 6130/64C-Temp and PR 6130/65S-Temp Cable Junction Box

None

PR 6130/68S-Temp and PR 6021/68S-Temp Cable Junction Box

None

13. Specific Conditions of Use:

1. Under certain extreme circumstances, the non-metallic label may generate an ignition-capable level of electrostatic charge. Therefore particularly when it is used for applications that specifically require Zone 20, 21 or 22 Group III, or Class I and II, Division 1 or 2 located equipment, the equipment shall not be installed in a location where the external conditions are conducive to the build-up

14. Test and Assessment Procedure and Conditions:

This Certificate has been issued in accordance with FM Approvals Canadian Certification Scheme.

15. Schedule Drawings

A copy of the technical documentation has been kept by FM Approvals.

16. Certificate History

Details of the supplements to this certificate are described below:

Date	Description
8 th August 2014	Original Issue.
6 th October 2017	<u>Supplement 3:</u> Report Reference: – RR210028 dated 6 th October 2017 Description of the Change: Company name change from Sartorius Mechatronics T&H GmbH. Certificate reformatted.

THIS CERTIFICATE MAY ONLY BE REPRODUCED IN ITS ENTIRETY AND WITHOUT CHANGE

SCHEDULE



Canadian Certificate Of Conformity No: FM17CA0156X

24 th October 2018	<u>Supplement 4:</u> Report Reference: – RR215447 dated 24 th October 2018 Description of the Change: Reordered Equipment Listings. Updated lower ambient for type PR 6130/68S-Temp and PR 6021/68S-Temp Cable Junction Boxes from -30°C to -40°C.
7 th May 2019	<u>Supplement 5:</u> Report Reference: – RR218447 dated 7 th May 2019 Description of the Change: Typographical error on PR 6130/68S temp and PR 6021/68S-Temp Cable Junction Box model code control drawing “36931-731-07” will be replaced with “36931-721-07”

THIS CERTIFICATE MAY ONLY BE REPRODUCED IN ITS ENTIRETY AND WITHOUT CHANGE

FM Approvals LLC. 1151 Boston-Providence Turnpike, Norwood, MA 02062 USA
T: +1 (1) 781 762 4300 F: +1 (1) 781 762 9375 E-mail: information@fmapprovals.com www.fmapprovals.com

CERTIFICATE OF CONFORMITY



1. **HAZARDOUS (CLASSIFIED) LOCATION ELECTRICAL EQUIPMENT PER US REQUIREMENTS**
2. **Certificate No:** FM17US0275X
3. **Equipment:** PR 6130/6[a][b] and PR 6021/68S Cable Junction Box
(Type Reference and Name) PR 6130/64Sa-Temp, PR 6130/64C-Temp and PR 6130/65S-Temp Cable Junction Box
PR 6130/68S-Temp and PR 6021/68S-Temp Cable Junction Box
4. **Name of Listing Company:** Minebea Intec GmbH
5. **Address of Listing Company:** Meiendorfer Str. 205A
22145 Hamburg
Germany
6. The examination and test results are recorded in confidential report number:

3051617 dated 8th August 2014
7. FM Approvals LLC, certifies that the equipment described has been found to comply with the following Approval standards and other documents:

FM Class 3600:2018, FM Class 3610:2018, FM Class 3611:2004, FM Class 3810:2005,
ANSI/NEMA 250:2003, ANSI/IEC 60529:2009, ANSI/ISA 60079-0:2013, ANSI/ISA 60079-11:2013
8. If the sign 'X' is placed after the certificate number, it indicates that the equipment is subject to specific conditions of use specified in the schedule to this certificate.
9. This certificate relates to the design, examination and testing of the products specified herein. The FM Approvals surveillance audit program has further determined that the manufacturing processes and quality control procedures in place are satisfactory to manufacture the product as examined, tested and Approved.

Certificate issued by:



J. E. Marquardt
VP, Manager - Electrical Systems

7 May 2019

Date

To verify the availability of the Approved product, please refer to www.approvalguide.com

THIS CERTIFICATE MAY ONLY BE REPRODUCED IN ITS ENTIRETY AND WITHOUT CHANGE

FM Approvals LLC. 1151 Boston-Providence Turnpike, Norwood, MA 02062 USA
T: +1 (1) 781 762 4300 F: +1 (1) 781 762 9375 E-mail: information@fmapprovals.com www.fmapprovals.com

SCHEDULE



US Certificate Of Conformity No: FM17US0275X

10. Equipment Ratings:

Intrinsically safe for Class I, II and III, Division 1, Groups A, B, C, D, E, F and G hazardous (classified) locations; Intrinsically safe for Class I, Zone 0, Group IIC hazardous (classified) locations; Intrinsically safe for Zone 20, Group IIIC hazardous (classified) locations; nonincendive for Class I, Division 2, Groups A, B, C, and D, hazardous (classified) locations; Suitable for Class II and III, Division 2 hazardous (classified) locations. Temperature classification T4. Ambient temperature range -20°C to +60°C for PR 6130/6ab and PR 6021/68S, -30°C to +60°C for PR6130/64Sa-Temp, PR6130/64C-Temp and PR6130/65S-Temp and -40°C to 60°C for PR6130/68S-Temp and PR6021/68S-Temp. Indoor and outdoor Type 4X and IP6x.

11. The marking of the equipment shall include:

PR 6130/6[a][b] and PR 6021/68S Cable Junction Box

IS CL I, II, III, DIV 1, GP A,B,C,D,E,F,G T4 - 36931-751-07; 4X, IP6x
NI CL I, II, III, DIV 2, GP A,B,C,D,E,F,G T4; 4X, IP6x
S CL II, DIV 2, GP E,F,G / T4; 4X, IP6X,
S CL III, DIV 1 T4 - 36931-751-07; 4X, IP6x
CL I, Zone 0, AEx ia IIC T4 - 36931-751-07; 4X, IP6x
Zone 20, AEx ia IIIC T90°C - 36931-751-07; 4X, IP6x
T4 Ta= -20°C to 60°C

PR 6130/64Sa-Temp, PR 6130/64C-Temp and PR 6130/65S-Temp Cable Junction Box

IS CL I, II, III, DIV 1, GP A,B,C,D,E,F,G T4 - 36931-731-07; 4X, IP6x
NI CL I, II, III, DIV 2, GP A,B,C,D,E,F,G T4; 4X, IP6x
S CL II, DIV 2, GP E,F,G / T4; 4X, IP6X,
S CL III, DIV 1 T4 - 36931-751-07; 4X, IP6x
CL I, Zone 0, AEx ia IIC T4 - 36931-731-07; 4X, IP6x
Zone 20, AEx ia IIIC T90°C - 36931-731-07; 4X, IP6x
T4 Ta= -30°C to 60°C

PR 6130/68S-Temp and PR 6021/68S-Temp Cable Junction Box

IS CL I, II, III, DIV 1, GP A,B,C,D,E,F,G T4 - 36931-721-07; 4X, IP6x
NI CL I, II, III, DIV 2, GP A,B,C,D,E,F,G T4; 4X, IP6x
S CL II, DIV 2, GP E,F,G / T4; 4X, IP6X,
S CL III, DIV 1 T4 - 36931-721-07; 4X, IP6x
CL I, Zone 0, Ex ia IIC T4 - 36931-721-07; 4X, IP6x
Zone 20, AEx ia IIIC T90°C - 36931-721-07; 4X, IP6x
T4 Ta= -40°C to 60°C

12. **Description of Equipment:**

General - The Cable Junction Boxes are designed to interconnect up to 8 load cells and then connect this arrangement to the interface of an evaluation unit (e.g. indicator).

Construction - The Cable Junction Boxes series PR 6130/6... and PR 6021/6... consist of stainless steel housings with ingress protection IP6x in accordance with ANSI/IEC 60529 and Type 4X. All screws, flat and lock washers are also made of stainless steel.

THIS CERTIFICATE MAY ONLY BE REPRODUCED IN ITS ENTIRETY AND WITHOUT CHANGE

SCHEDULE



US Certificate Of Conformity No: FM17US0275X

Ratings

Operation Temperature Ranges:

The ambient operating temperature range of the Cable Junction Boxes PR 6130/6ab and PR 6021/68S is up to -20°C to +60°C.

The ambient operating temperature range of the Cable Junction Boxes PR 6130/64Sa-Temp, PR 6130/64C-Temp and PR 6130/65S-Temp Cable Junction Box is up to -30°C to +60°C.

The ambient operating temperature range of the PR 6130/68S-Temp and PR 6021/68S-Temp Cable Junction Box is up to -40°C to +60°C.

Electrical Data:

For intrinsic safety, the Cable Junction Boxes are assigned the following input parameters:

$U_i \leq 25V$, $I_i \leq 370mA$, $P_i = \text{any}$, $C_i = 0$, $L_i = 0$

For all other protection techniques, the electroinic connection has the following values:

$U_i \leq 25V$, $I_i \leq 370mA$, $P_i = \text{any}$

PR 6130/6[a][b] and PR 6021/68S Cable Junction Box

[a] = Size; 4, 5 or 8

[b] = S, Sa or C

PR 6130/64Sa-Temp, PR 6130/64C-Temp and PR 6130/65S-Temp Cable Junction Box

None

PR 6130/68S-Temp and PR 6021/68S-Temp Cable Junction Box

None

13. **Specific Conditions of Use:**

1. Under certain extreme circumstances, the non-metallic label may generate an ignition-capable level of electrostatic charge. Therefore particularly when it is used for applications that specifically require Zone 20, 21 or 22 Group III, or Class I and II, Division 1 or 2 located equipment, the equipment shall not be installed in a location where the external conditions are conducive to the build-up.

14. **Test and Assessment Procedure and Conditions:**

This Certificate has been issued in accordance with FM Approvals US Certification Requirements.

15. **Schedule Drawings**

A copy of the technical documentation has been kept by FM Approvals.

16. **Certificate History**

Details of the supplements to this certificate are described below:

THIS CERTIFICATE MAY ONLY BE REPRODUCED IN ITS ENTIRETY AND WITHOUT CHANGE

FM Approvals LLC. 1151 Boston-Providence Turnpike, Norwood, MA 02062 USA

T: +1 (1) 781 762 4300 F: +1 (1) 781 762 9375 E-mail: information@fmapprovals.com www.fmapprovals.com

SCHEDULE



US Certificate Of Conformity No: FM17US0275X

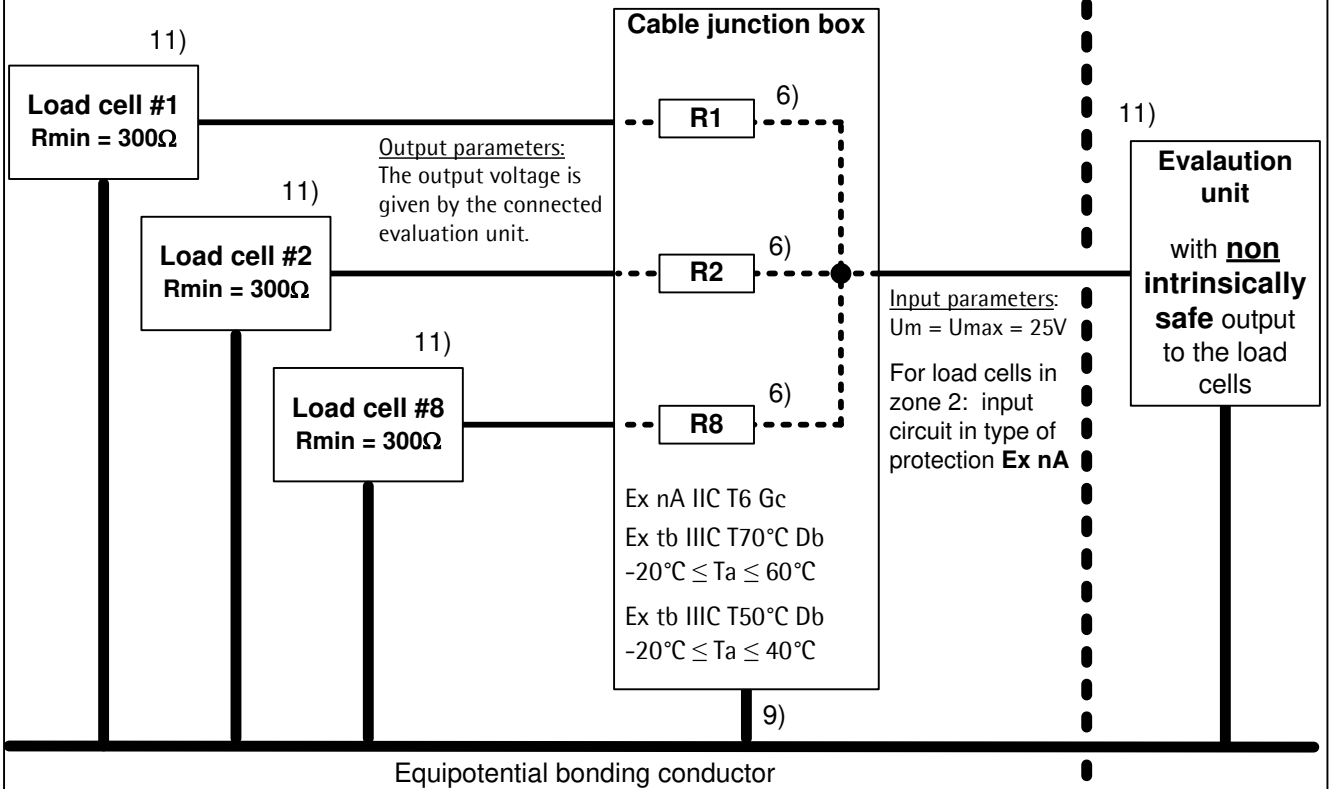
Date	Description
8 th August 2014	Original Issue.
6 th October 2017	<u>Supplement 3:</u> Report Reference: – RR210028 dated 6 th October 2017 Description of the Change: Company name change from Sartorius Mechatronics T&H GmbH. Certificate reformatted.
24 th October 2018	<u>Supplement 4:</u> Report Reference: – RR215447 dated 24 th October 2018 Description of the Change: Reordered Equipment Listings. Updated lower ambient for type PR 6130/68S-Temp and PR 6021/68S-Temp Cable Junction Boxes from -30°C to -40°C. Update FM Class 3600 from 2011 to 2018 and FM Class 3610 from 2010 to 2018.
7 th May 2019	<u>Supplement 5:</u> Report Reference: – RR218447 dated 7 th May 2019 Description of the Change: Typographical error on PR 6130/68S temp and PR 6021/68S-Temp Cable Junction Box model code control drawing “36931-731-07” will be replaced with “36931-721-07”

THIS CERTIFICATE MAY ONLY BE REPRODUCED IN ITS ENTIRETY AND WITHOUT CHANGE

FM Approvals LLC. 1151 Boston-Providence Turnpike, Norwood, MA 02062 USA
T: +1 (1) 781 762 4300 F: +1 (1) 781 762 9375 E-mail: information@fmapprovals.com www.fmapprovals.com

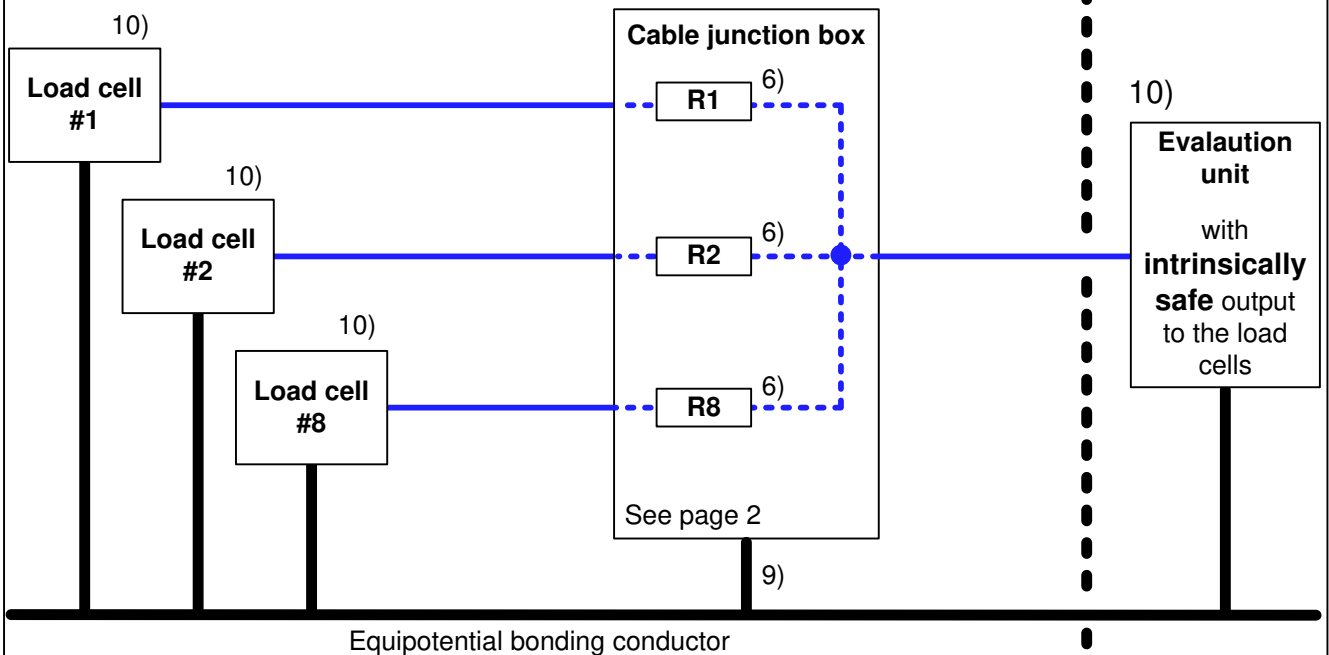
Hazardous area Zone 2, 21 or 22

ambient temperature: -20°C to $+60^{\circ}\text{C}$



Hazardous area Zone 0, 1, 20 or 21

ambient temperature: -20°C to $+60^{\circ}\text{C}$



Weitergabe sowie Vervielfältigung dieses Dokuments, Verwertung und Mitteilung seines Inhaltes sind verboten, soweit nicht ausdrücklich gestattet. Zuwiderhandlungen verpflichten zu Schadensersatz. Alle Rechte für den Fall der Patent-, Gebrauchsmuster oder Geschmacksuntereintragung vorbehalten.

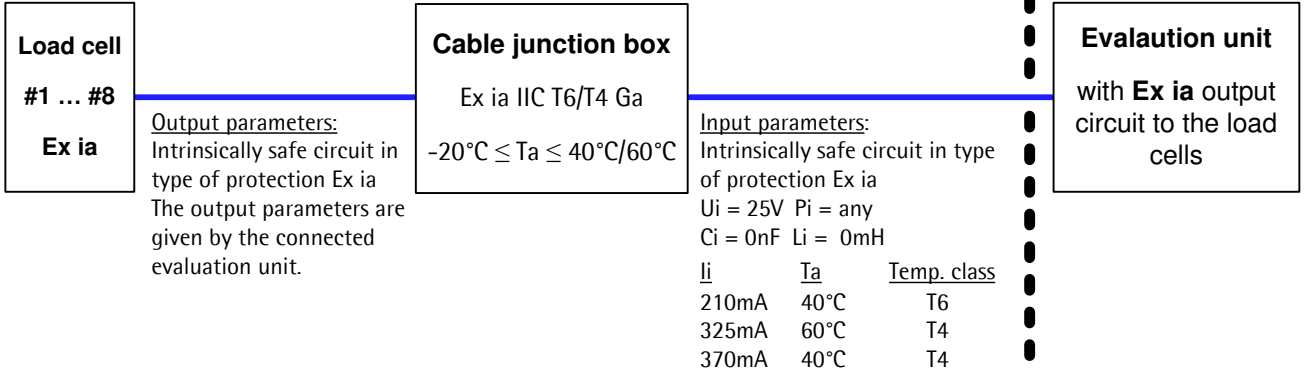
The copying, distribution and utilization of this document as well as the communication of its contents to others without expressed authorization is prohibited. Offenders will be held liable for the payment of damages. All rights reserved in the event of the grant of a patent, utility model or ornamental design registration.

	Datum Date	Name	Material		Maßstab / Scale
Erstellt Written by	14.11.18	Schallhorn	 Benennung / Title Safety Instructions		1:1
Geprüft Reviewed by	15.11.18	Hiller			
Freigabe Released by	15.11.18	Schallhorn	Ausgabe / Revision 01	Änderung / Alteration PA50181104	Zeichnungs-Nr. / Drawing number 36931-751-16
					Blatt Sheet 1 von of 3

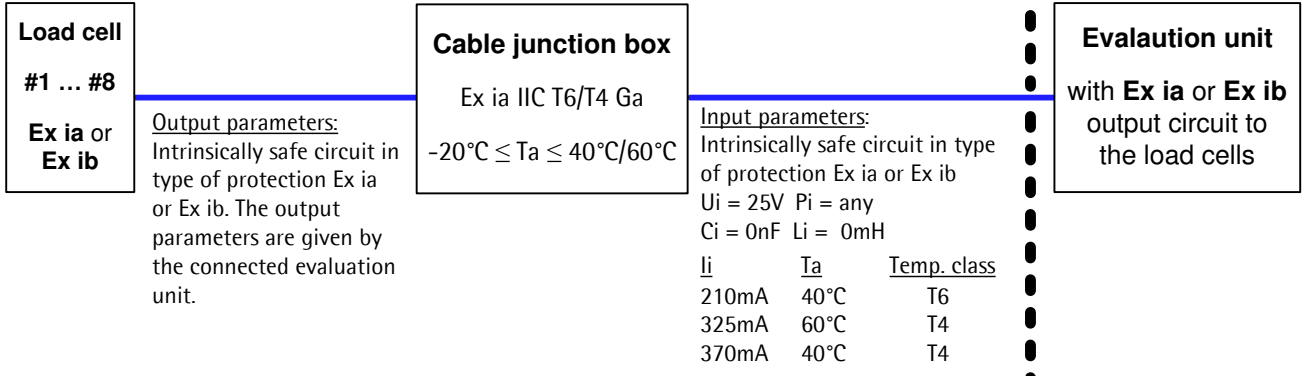
Weitergabe sowie Vervielfältigung dieses Dokuments, Verwertung und Mitteilung seines Inhaltes sind verboten, soweit nicht ausdrücklich gestattet. Zuwiderhandlungen verpflichten zu Schadensersatz. Alle Rechte für den Fall der Patent-, Gebrauchsmuster oder Geschmacksmustereintragung vorbehalten.

The copying, distribution and utilization of this document as well as the communication of its contents to others without expressed authorization is prohibited. Offenders will be held liable for the payment of damages. All rights reserved in the event of the grant of a patent, utility model or ornamental design registration.

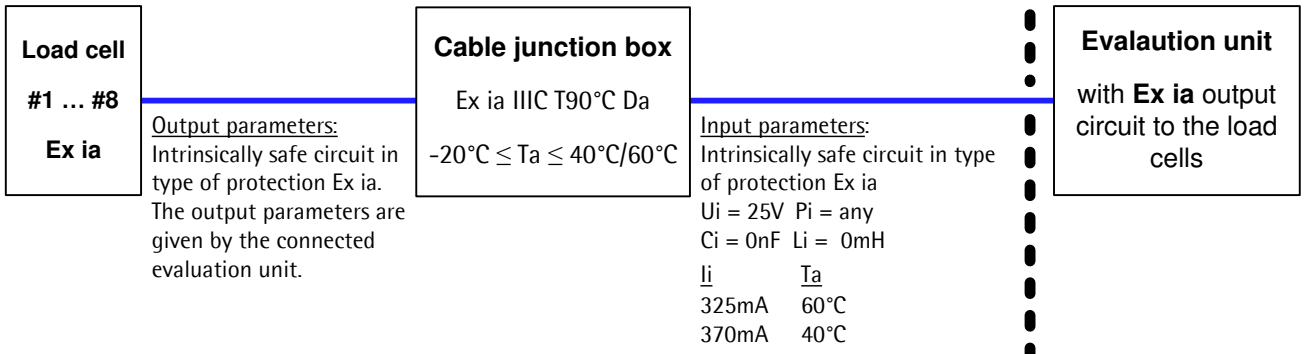
Hazardous area Zone 0



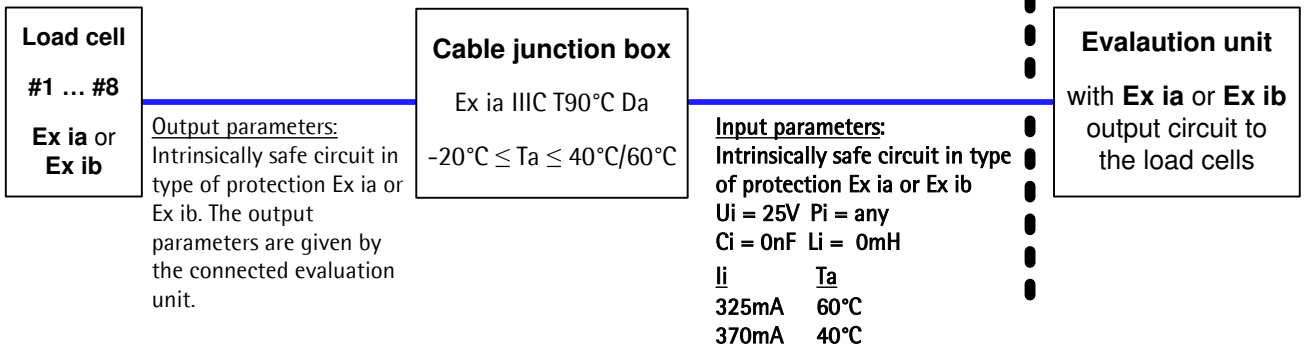
Hazardous area Zone 1



Hazardous area Zone 20



Hazardous area Zone 21



	Datum Date	Name	Material		Maßstab / Scale
Erstellt Written by	14.11.18	Schallhorn	 The true measure		1:1
Geprüft Reviewed by	15.11.18	Hiller			Benennung / Title Safety Instructions
Freigabe Released by	15.11.18	Schallhorn	Ausgabe / Revision 01	Änderung / Alteration PA50181104	Zeichnungs-Nr. / Drawing number 36931-751-16
					Blatt Sheet 2 von of 3

Safety Instructions

These safety instructions apply to the installation, operation, maintenance and repair of the equipment

- 1) Install the equipment in compliance with applicable laws, rules and regulations, ordinances and standards. In particular, be sure to conform to the European Standards EN 60079-14 (Electrical apparatus for use in potentially explosive gas atmospheres).
- 2) Be sure to follow the installation, operating, maintenance and servicing instructions given in the manuals supplied.
- 3) The cover screws must be tighten to a torque of 2.5 ... 3.0Nm (PR6xxx/68S) and 2.0 ... 2.5Nm (PR6130/64Sx and PR6130/65), respectively.
- 4) The external connecting cables must be installed in a protective tube and secured to prevent damage and stress caused by strain. The cable glands must be secured to prevent them from working loose. The applied cable glands shall be suitable for the application of the junction box.
- 5) The gasket shall not be lost or damaged.
- 6) For corner load compensation wire wounded resistors with a maximum resistance of 5.6ohms (P70 = 0.6W, 1%, size 0207; type MBB0207 or equivalent) shall be used. Remove the wire bridge in the corresponding line to the load cell and solder in the compensating resistor.
- 7) Prior to opening the equipment, disconnect the power supply or make sure that there is no potentially explosive atmosphere or any other explosion hazard in the surrounding area! Never connect or disconnect cables while the power is on in a hazardous area! If the equipment does not operate properly, unplug it immediately from line power (mains supply)!
- 8) A transient protection device shall be set at a level not exceeding 140 % of the peak rated voltage value of 85V.
- 9) All metal parts (housing, load cells) must be electrically connected to the terminal for the equipotential bonding conductor (PA). The equipment operator is obligated to connect an earth cable with a gauge of at least 4 mm² (cross section) and with a cable lug to the PA terminal located on the side of the housing. This earth cable must be installed in such a way that it is protected against working loose and that it prevent twisting of the earth connection. The low resistance of this connection to the PA busbar must be checked when the system is installed at the intended place of use. For intrinsically safe circuits: The shielding of the connecting cables may only be used for grounding when no impermissible difference in voltage is generated and, if necessary, the shielding is able to conduct the equipotential current.
- 10) For use in zone 0 or in zone 20 the load cells and the output circuit of the evaluation unit to the load cells must be intrinsically safe in type of protection Ex ia. For use in zone 1 or in zone 21 the load cells and the output circuit of the evaluation unit to the load cells must be intrinsically safe in type of protection Ex ia or Ex ib. Load cells in type of protection Ex tb are suitable to be used in zone 21 and 22. For gas and dust group, temperature code and maximum ratings see DEKRA certificate.
- 11) For use in zone 2, 21 and 22 the load cells and the output circuit of the evaluation unit to the load cells do not need to be intrinsically safe but must be suitable (certified) for use in these zones. For gas and dust group, temperature code and maximum ratings see DEKRA certificate.
- 12) Keep chemicals and other agents, which can corrode the housing seals and cable sheaths, away from the equipment. These agents include oil, grease, benzene, acetone and ozone. If you are not sure about the safety of a certain substance, please contact the manufacturer.
- 13) Use equipment only in the temperature ranges indicated. Avoid exposing the equipment to heat.
- 14) The terminal blocks are suitable for wire gauges 0.2qmm. 1.5qmm (AWG 24 .. AWG 16). Secure the wires by tighten to a torque of 0.5Nm. No torque must be applied to the plug-in connectors type LSF-SMT 5.08.
- 15) The equipment operator is responsible for any non-Minebea Intec cables used.
- 16) Check the EX approval marking (particularly the group for gases and temperature class) on all equipment in the hazardous area before operation to ensure that this equipment is permitted to be operated in this area.
- 17) At reasonable intervals, have your equipment installation checked for proper functioning and safety by a trained and certified technician.
- 18) If your equipment needs to be repaired, use only genuine replacement parts supplied by the manufacturer!
- 19) Any tampering with the equipment by anyone, other than repair work done by authorized Minebea Intec service technicians, will result in the loss of EX conformity and in the forfeiture of all claims under the manufacturer's warranty. Only authorized specialists may open the equipment.
- 20) Modifications, including those to be carried out by Minebea Intec employees, may be permitted only after the express written authorization has been obtained from Minebea Intec.
- 21) For application in environments with combustible dust, electrostatic charging of the plastic label shall be avoided.

Weitergabe sowie Vervielfältigung dieses Dokuments, Verwertung und Mitteilung seines Inhaltes sind verboten, soweit nicht ausdrücklich gestattet. Zuwiderhandlungen verpflichten zu Schadensersatz. Alle Rechte für den Fall der Patent-, Gebrauchsmuster oder Geschmacksmustereintragung vorbehalten.

The copying, distribution and utilization of this document as well as the communication of its contents to others without expressed authorization is prohibited. Offenders will be held liable for the payment of damages. All rights reserved in the event of the grant of a patent, utility model or ornamental design registration.

	Datum Date	Name	Material		Maßstab / Scale
Erstellt Written by	14.11.18	Schallhorn		Benennung / Title Safety Instructions	1:1
Geprüft Reviewed by	15.11.18	Hiller			Blatt Sheet
Freigabe Released by	15.11.18	Schallhorn	Ausgabe / Revision 01	Änderung / Alteration PA50181104	Zeichnungs-Nr. / Drawing number 36931-751-16
					von of

Weitergabe sowie Vervielfältigung dieses Dokuments, Verwertung und Mitteilung seines Inhaltes sind verboten, soweit nicht ausdrücklich gestattet. Zuwiderhandlungen verpflichten zu Schadensersatz. Alle Rechte für den Fall der Patent-, Gebrauchsmuster oder Geschmacksmustereintragung vorbehalten.

The copying, distribution and utilization of this document as well as the communication of its contents to others without expressed authorization is prohibited. Offenders will be held liable for the payment of damages. All rights reserved in the event of the grant of a patent, utility model or ornamental design registration.

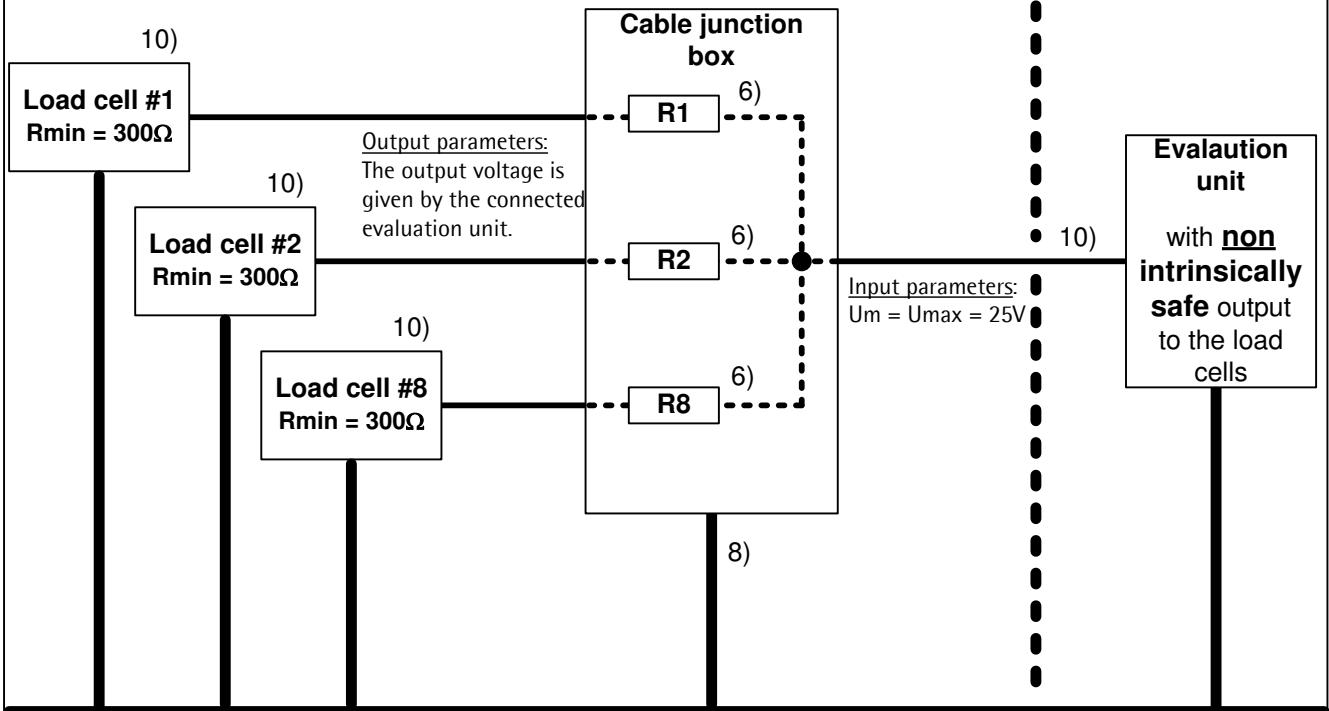
These safety instructions apply to the installation, operation, maintenance and repair of the equipment

- 1) Install the equipment in compliance with applicable laws, rules and regulations, ordinances and standards.
- 2) Be sure to follow the installation, operating, maintenance and servicing instructions given in the manuals supplied.
- 3) The cover screws must be tighten to a torque of 2.5 ... 3.0Nm (PR6xxx/68S) and 2.0 ... 2.5Nm (PR6130/64Sx and PR6130/65), respectively.
- 4) The external connecting cables must be installed in a protective tube and secured to prevent damage and stress caused by strain. The cable glands must be secured to prevent them from working loose. The applied cable glands shall be suitable for the application of the junction box.
- 5) The gasket shall not be lost or damaged.
- 6) Prior to opening the equipment, disconnect the power supply or make sure that there is no potentially explosive atmosphere or any other explosion hazard in the surrounding area! Never connect or disconnect cables while the power is on in a hazardous area! If the equipment does not operate properly, unplug it immediately from line power (mains supply)!
- 7) For corner load compensation wire wound resistors with a maximum resistance of 5.6ohms (P70 = 0.6W, 1%, size 0207; type MBB0207 or equivalent) shall be used. Remove the wire bridge in the corresponding line to the load cell and solder in the compensating resistor. These corner load compensation resistors shall only be changed by a suitably trained technician in a non-hazardous location.
- 8) A transient protection device shall be set at a level not exceeding 140 % of the peak rated voltage value of 85V.
- 9) All metal parts (housing, load cells) must be electrically connected to the terminal for the equipotential bonding conductor (PA). The equipment operator is obligated to connect an earth cable with a gauge of at least 4 mm² (cross section) and with a cable lug to the PA terminal located on the side of the housing. This earth cable must be installed in such a way that it is protected against working loose and that it prevent twisting of the earth connection. The low resistance of this connection to the PA busbar must be checked when the system is installed at the intended place of use. For intrinsically safe circuits: The shielding of the connecting cables may only be used for grounding when no impermissible difference in voltage is generated and, if necessary, the shielding is able to conduct the equipotential current.
- 10) For use in Division 1, in zone 0 or in zone 20 the load cells and the output circuit of the evaluation unit to the load cells must be intrinsically safe type of protection Ex ia. For use in zone 1 or in zone 21 the load cells and the output circuit of the evaluation unit to the load cells must be intrinsically safe type of protection Ex ia or Ex ib. Load cells type of protection Ex tb are suitable to be used in zone 21 and 22. For gas and dust group, temperature code and maximum ratings see certificate of compliance.
- 11) For use in zone 2, 21 and 22 the load cells and the output circuit of the evaluation unit to the load cells do not need to be intrinsically safe but must be suitable (certified) for use in these zones. For gas and dust group, temperature code and maximum ratings see certificate of compliance.
- 12) Keep chemicals and other agents, which can corrode the housing seals and cable sheaths, away from the equipment. These agents include oil, grease, benzene, acetone and ozone. If you are not sure about the safety of a certain substance, please contact the manufacturer.
- 13) Use equipment only in the temperature ranges indicated. Avoid exposing the equipment to heat.
- 14) The terminal blocks are suitable for wire gauges 0.2sqmm .. 1.5sqmm (AWG 24 .. AWG 16). Secure the wires by tighten to a torque of 0.5Nm.
- 15) The equipment operator is responsible for any non-Minebea Intec cables used.
- 16) Check the EX approval marking (particularly the group for gases and temperature class) on all equipment in the hazardous area before operation to ensure that this equipment is permitted to be operated in this area.
- 17) At reasonable intervals, have your equipment installation checked for proper functioning and safety by a trained and certified technician.
- 18) If your equipment needs to be repaired, use only genuine replacement parts supplied by the manufacturer!
- 19) Any tampering with the equipment by anyone, other than repair work done by authorized Minebea Intec service technicians, will result in the loss of EX conformity and in the forfeiture of all claims under the manufacturer's warranty. Only authorized specialists may open the equipment.
- 20) Modifications, including those to be carried out by Minebea Intec employees, may be permitted only after the express written authorization has been obtained from Minebea Intec.
- 21) For application in environments with combustible dust, electrostatic charging of the plastic label shall be avoided.

	Datum Date	Name	Material			Maßstab / Scale
Erstellt Written by	21.08.18	Schallhorn			Benennung / Title	
Geprüft Reviewed by	21.08.18	Hiller			Safety Instructions (PR6130/6... nad PR6021/6...)	
Freigabe Released by	21.08.18	Schallhorn	Ausgabe / Revision 01	Änderung / Alteration PA50180542	Zeichnungs-Nr. / Drawing number 36931-751-08	von of 1
					Teildok. Nr./ Part doc. no.	592

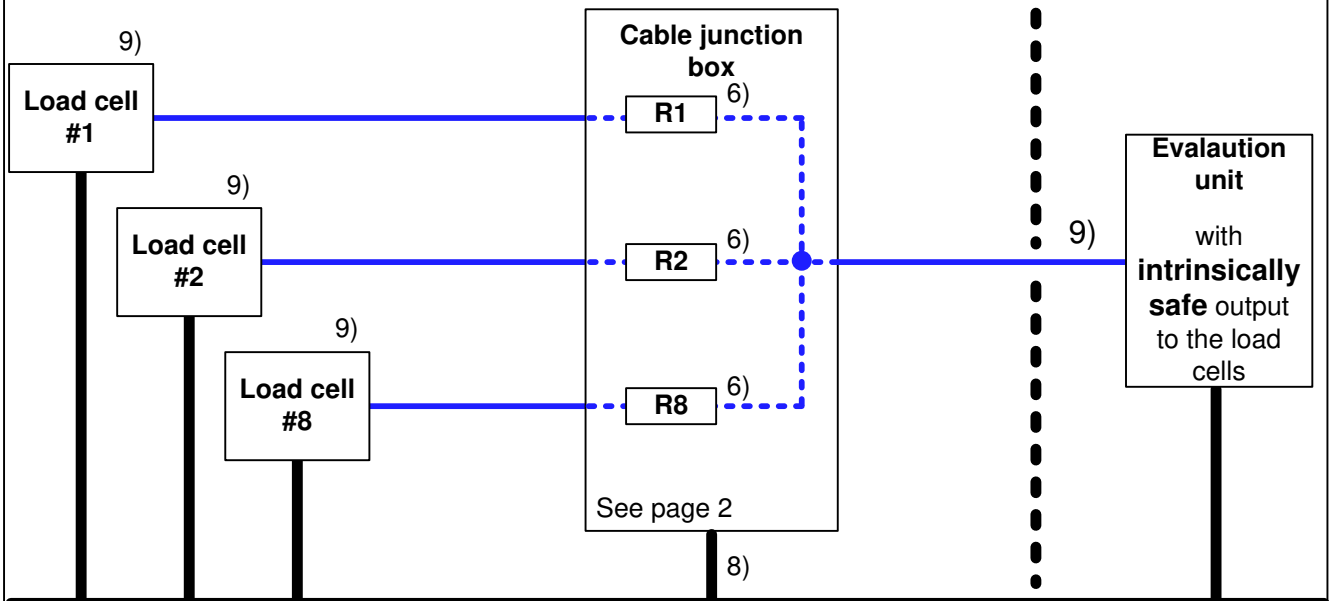
Hazardous location Class I, II, III, Division 2

ambient temperature: -20°C to +60°C



Hazardous location Class I, II, III, Division 1 or Class I, Zone 0 or Zone 1 or For USA only: Zone 20 or Zone 21

ambient temperature: -20°C to +60°C



Weitergabe sowie Vervielfältigung dieses Dokuments, Verwertung und Mitteilung seines Inhaltes sind verboten, soweit nicht ausdrücklich gestattet. Zuwiderhandlungen verpflichten zu Schadensersatz. Alle Rechte für den Fall der Patent-, Gebrauchsmuster oder Geschmacksmusterretragung vorbehalten.

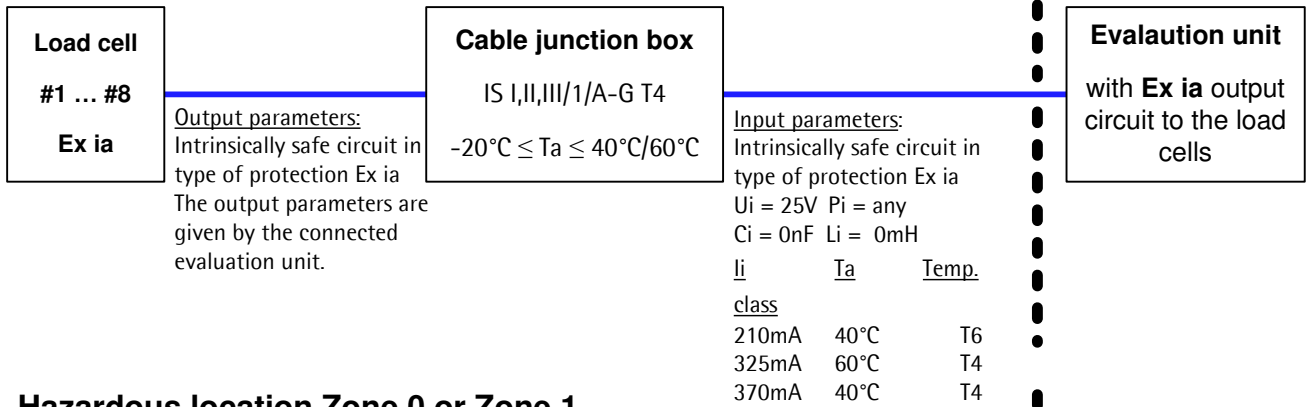
The copying, distribution and utilization of this document as well as the communication of its contents to others without expressed authorization is prohibited. Offenders will be held liable for the payment of damages. All rights reserved in the event of the grant of a patent, utility model or ornamental design registration.

	Datum Date	Name	Material	Benennung / Title		Maßstab / Scale
Erstellt Written by	20.08.18	Schallhorn		Control Drawing (PR6130/6... and PR6021/6...)		1:1
Geprüft Reviewed by	20.08.18	Hiller		Zeichnungs-Nr. / Drawing number	Teildok. Nr. / Part doc. no.	Blatt Sheet
Freigabe Released by	20.08.18	Schallhorn	Ausgabe / Revision 02	Änderung / Alteration PA50180542	36931-751-07	von of 1 2
					592	

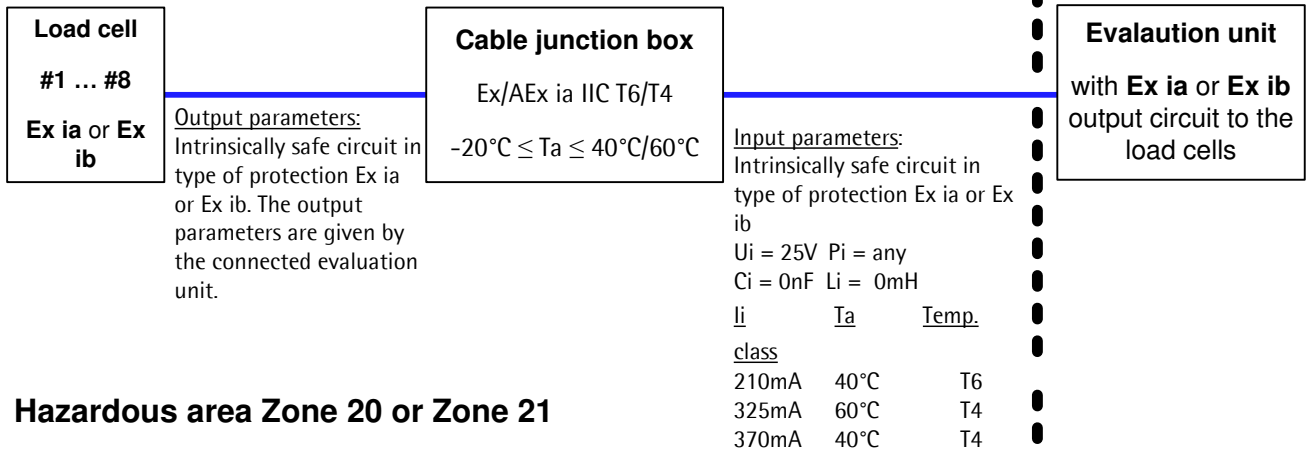
Weitergabe sowie Vervielfältigung dieses Dokuments, Verwertung und Mitteilung seines Inhaltes sind verboten, soweit nicht ausdrücklich gestattet. Zuwiderhandlungen verpflichten zu Schadensersatz. Alle Rechte für den Fall der Patent-, Gebrauchsmuster oder Geschmacksmustereintragung vorbehalten.

The copying, distribution and utilization of this document as well as the communication of its contents to others without expressed authorization is prohibited. Offenders will be held liable for the payment of damages. All rights reserved in the event of the grant of a patent, utility model or ornamental design registration.

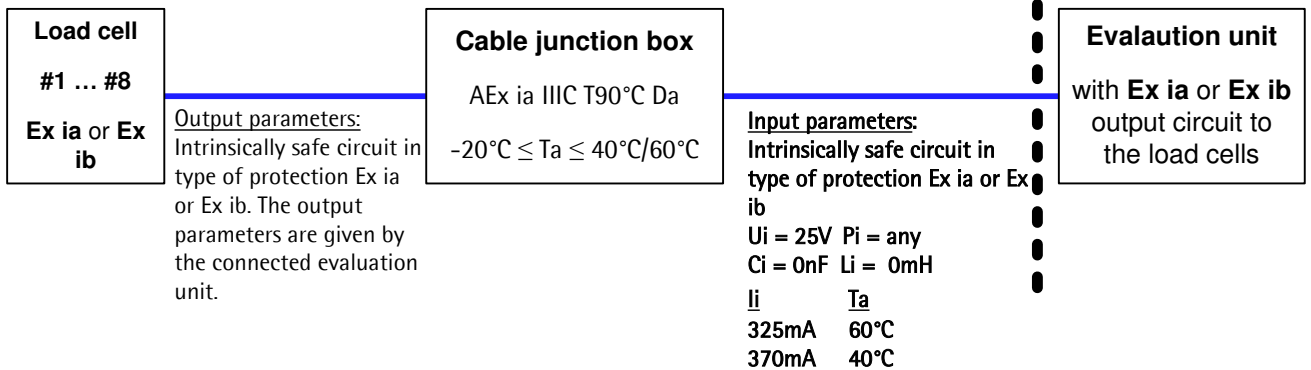
Hazardous location Class I, II, III, Division 1



Hazardous location Zone 0 or Zone 1



Hazardous area Zone 20 or Zone 21



Note:

1) In the **USA**: The installation must be in accordance with the National Electrical Code[®], NFPA 70 and ANSI / ISA-RP 12.06.01.

In **Canada**: The installation must be in accordance with the Canadian Electrical Code[®], Part1.

2) The apparatus must not be connected to any device that uses or generates in excess of 250Vrms or DC. $U_m = 250\text{V}$.

3) In the **USA**: The Apparatus must be connected to a suitable ground electrode per National Electrical Code[®], NFPA 70, Article 504 or 505. The resistance of the ground pad must be less than 1 ohm.

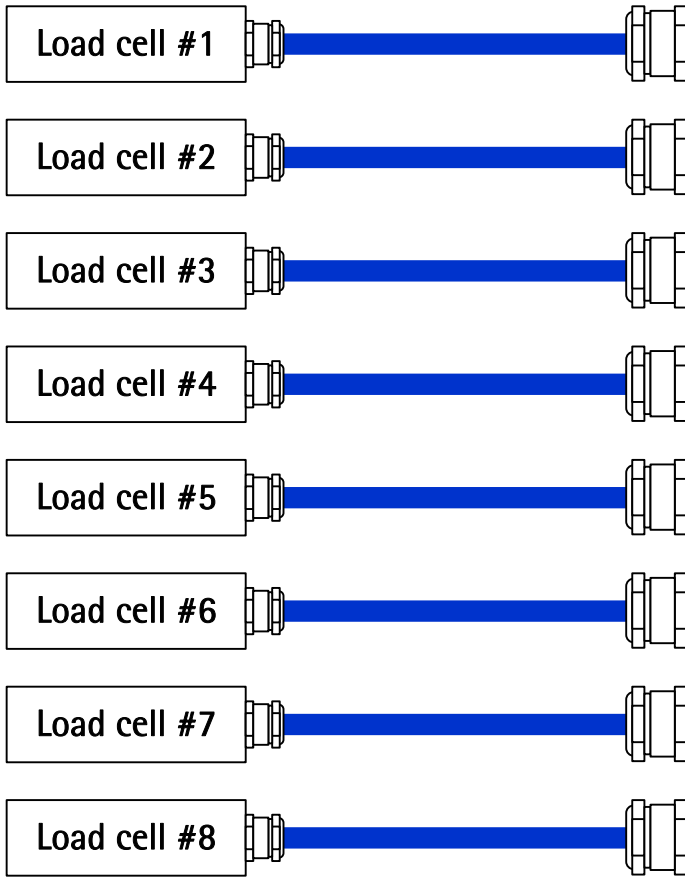
In **Canada**: The Apparatus must be connected to a suitable ground electrode per Canadian Electrical Code[®], Part 1. The resistance of the ground pad must be less than 1 ohm.

For continuing notes see „Safety Instructions“, drawing number 36931-751-16.

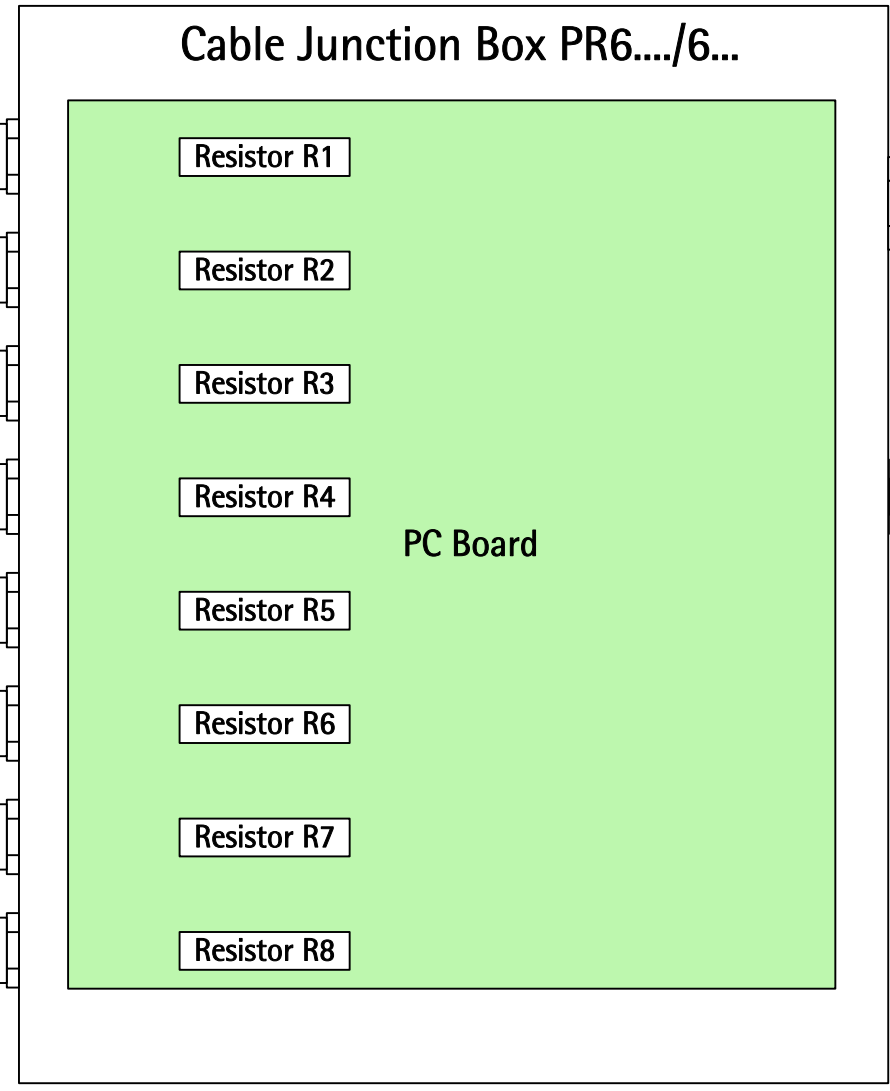
	Datum Date	Name	Material		Benennung / Title		Maßstab / Scale
Erstellt Written by	20.08.18	Schallhorn	Minebea intec <small>The true measure</small>		Control Drawing (PR6130/6... and PR6021/6...)		1:1
Geprüft Reviewed by	20.08.18	Hiller					Blatt Sheet
Freigabe Released by	20.08.18	Schallhorn	Ausgabe / Revision 02	Änderung / Alteration PA50180542	Zeichnungs-Nr. / Drawing number 36931-751-07	Teildok. Nr./ Part doc. no.	von of 592

Weitergabe sowie Vervielfältigung dieses Dokuments, Verwertung und Mitteilung seines Inhaltes sind verboten, soweit nicht ausdrücklich gestattet. Zuwiderhandlungen verpflichten zu Schadensersatz. Alle Rechte für den Fall der Patent-, Gebrauchsmuster oder Geschmacksmustereintragung vorbehalten.

The copying, distribution and utilization of this document as well as the communication of its contents to others without expressed authorization is prohibited. Offenders will be held liable for the payment of damages. All rights reserved in the event of the grant of a patent, utility model or ornamental design registration.



Up to 8 intrinsically safe load cells certified for use in zone 0 or in zone 1 and / or certified for use in zone 20 or in zone 21.



Resistors R1...R4 and R1...R8, respectively:
 0 ... 5.6 ohms (1%); type MBB0207; P₇₀ = 600mW

Zone 0, 1
 Zone 20, 21

Pressure Balance Element
 M12 x1.5; IP66; -40°C ... +105°C
 IExU 10 ATEX 1169 U
 Ex II 2 G / Ex e IIC Gb
 Ex II 2 D / Ex tb IIIC Db

Input circuit in type of protection
 Ex ia (for zone 0 and zone 20) or
 Ex ib (for zone 1 and zone 21):

U_i = 25V, P_i = any, I_i = see below

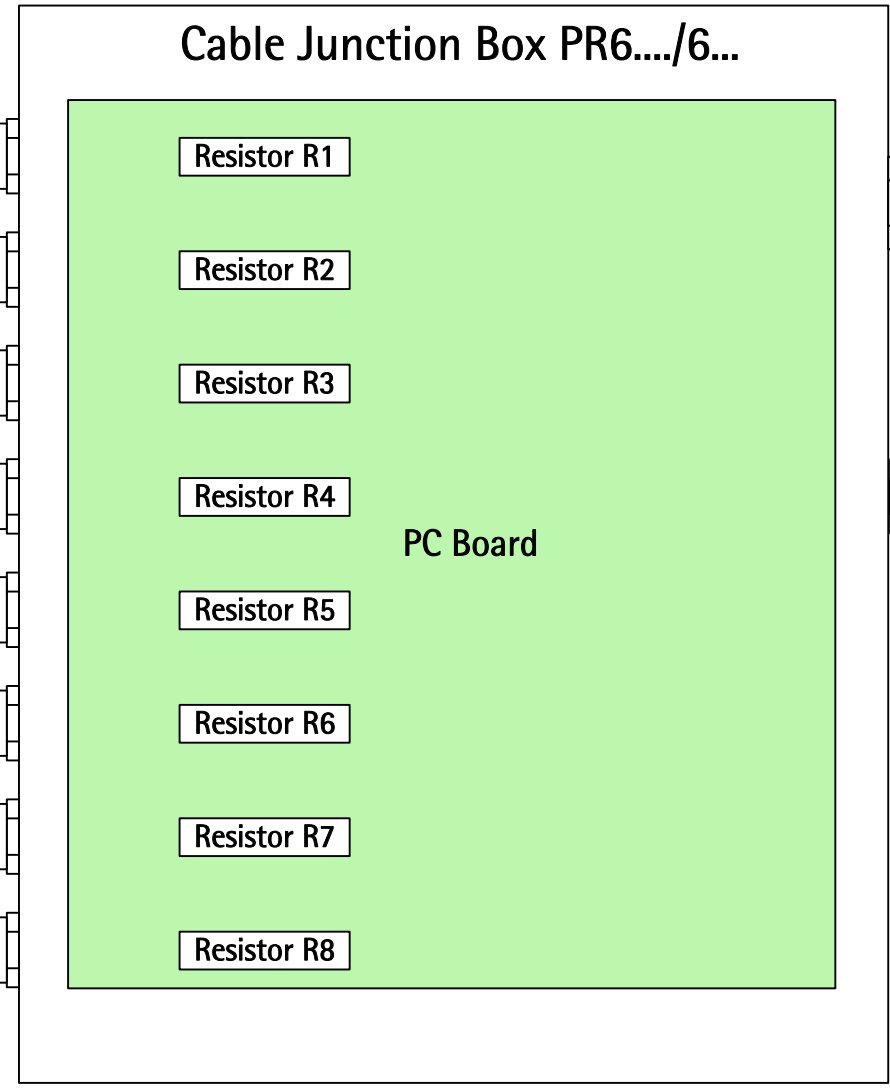
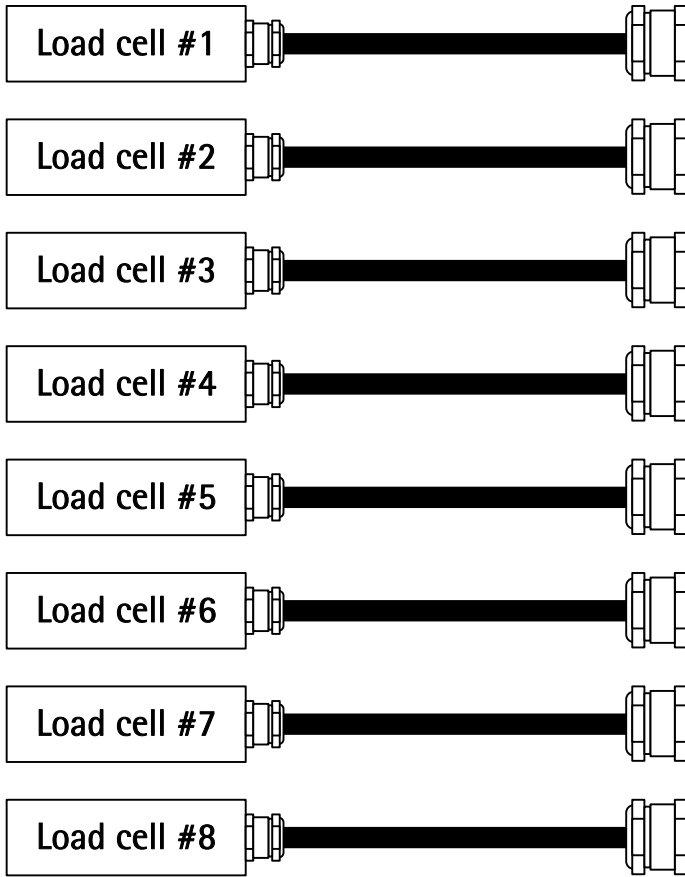
I _i	T _a	Temperature Class (Gas)	T (Dust)
210mA	40°C	T6	90°C
325mA	60°C	T4	90°C
370mA	40°C	T4	90°C

Certified equipment (e. g. indicator) with Ex ia output circuits for connections to zone 0 and zone 20 or Ex ib output circuits for connections to zone 1 and zone 21

	Datum / Date	Name	Material		Maßstab / Scale 1:1		
	Erstellt / Written by	21.08.18	Schallhorn	 Benennung / Title Ex-Konzept/ Ex-Design (PR6130/6... and PR6021/6...)			
	Geprüft / Reviewed by	21.08.18	Hiller				
Freigabe / Released by	21.08.18	Schallhorn	Ausgabe / Revision 01	Änderung / Alteration PA50180542	Zeichnungs-Nr. / Drawing number 36931-750-01	Teildok. Nr. / Part doc. no. 592	Blatt / Sheet 1 von / of 2

Weitergabe sowie Vervielfältigung dieses Dokuments, Verwertung und Mitteilung seines Inhaltes sind verboten, soweit nicht ausdrücklich gestattet. Zuwiderhandlungen verpflichten zu Schadensersatz. Alle Rechte für den Fall der Patent-, Gebrauchsmuster oder Geschmacksmusterertragung vorbehalten.

The copying, distribution and utilization of this document as well as the communication of its contents to others without expressed authorization is prohibited. Offenders will be held liable for the payment of damages. All rights reserved in the event of the grant of a patent, utility model or ornamental design registration.

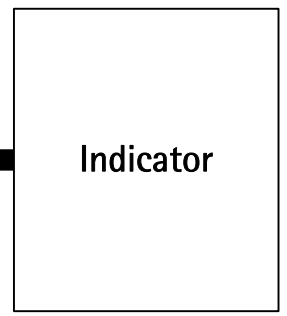


Pressure Balance Element
 M12 x1.5; IP66; -40°C ... +105°C
 IExU 10 ATEX 1169 U
 Ex II 2 G / Ex e IIC Gb
 Ex II 2 D / Ex tb IIIC Db

Um = 25V

For connection to up to eight load cells, each with a resistance of 300 ohms in minimum.

Ta	Temperature class (Gas)	T (Dust)
40°C	T6	50°C
60°C	T6	70°C



- Up to 8 load cells:
- certified for use in zone 20 or in zone 21
 - or
 - suitable for use in zone 2 or in zone 22

Resistors R1...R4 and R1...R8, respectively:
 0 ... 5.6 ohms (1%); type MBB0207; P₇₀ = 600mW

Zone 21, 22
 Zone 2

	Datum Date	Name	Material		Benennung / Title Ex-Konzept/ Ex-Design (PR6130/6... and PR6021/6...)	Maßstab / Scale 1:1	
	Erstellt Written by	21.08.18	Schallhorn			Blatt Sheet 2	
	Geprüft Reviewed by	21.08.18	Hiller			Ausgabe / Revision 01	Änderung / Alteration PA50180542

Published by
Minebea Intec GmbH | Meiendorfer Strasse 205 A | 22145 Hamburg, Germany
Phone: +49.40.67960.303 | Email: info@minebea-intec.com
www.minebea-intec.com

