

# Weight transmitter PR 5211

Weight value transfer made easy



German Quality

The PR 5211 series transmitters offer a reliable and easy option for recording the weight of load cells. Thanks to various optional interfaces such as Profibus DP, direct integration into higher-level systems (such as PLCs) is child's play. The integrated USB interface enables fast and easy configuration on a PC using the engineering tool.

The right solution for all of these applications:



Weighing



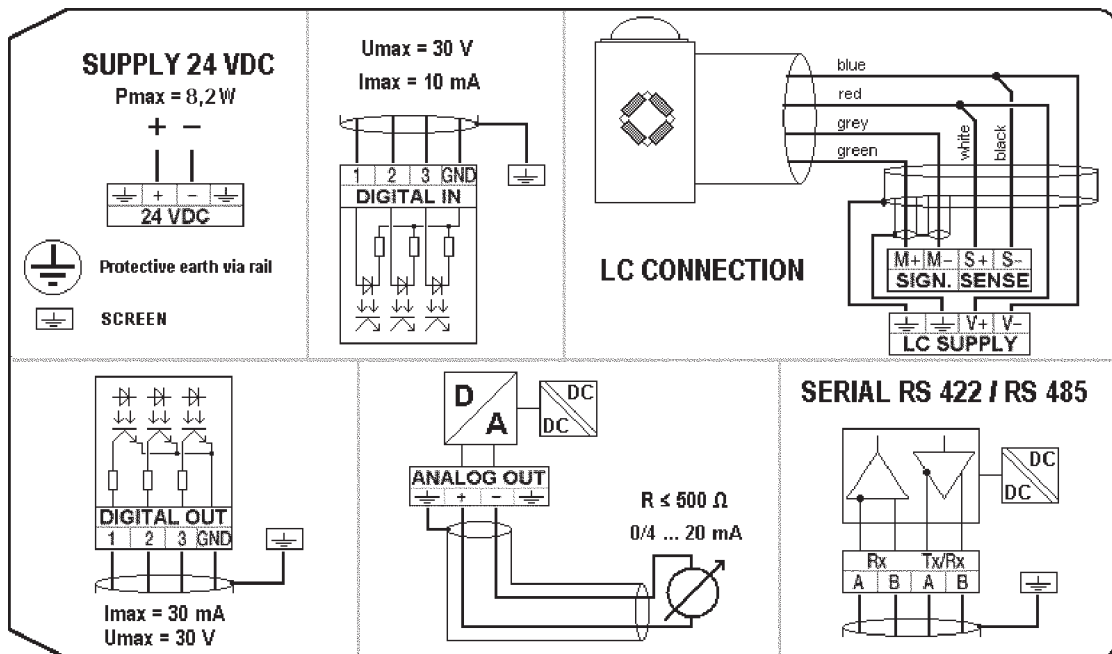
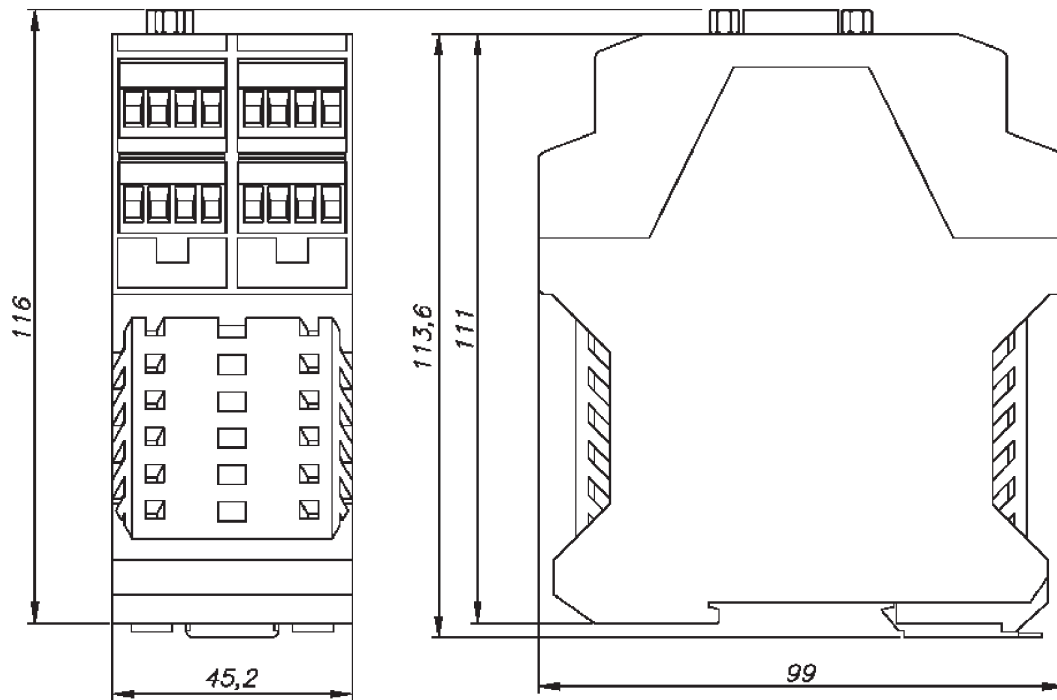
Fill quantity  
control

## Technical specifications

Weight transmitter PR 5211	
Parameter	Description
Housing	<ul style="list-style-type: none"> <li>– Plug-in COMBICOM screw terminals, IP20</li> <li>– Installation on 35 mm top hat rails in accordance with DIN 46277</li> <li>– ROHS compliant</li> </ul>
Dimensions	99 × 116 × 45 mm
Power supply	24 V <sub>DC</sub> +10/-15%
Power consumption	Max. 8.2 W
Status display	Status LEDs for operational readiness, communication activity, etc.
Control outputs	Quantity: 3, optocoupler isolated, passive, max. 30 V <sub>DC</sub> , max. 30 mA Function: limits, weight status, etc.
Control inputs	Quantity: 3, optocoupler isolated, max. 30 V <sub>DC</sub> , max. 10 mA Function: zero, tare, etc.
Load cell connection	All strain gauge load cells; 6 or 4-wire connection is possible
Load cell supply	12 V <sub>DC</sub> (±6 V <sub>DC</sub> ), short-circuit-proof, external load cell supply possible
Load impedance	<ul style="list-style-type: none"> <li>– min. 75 Ω</li> <li>– e.g. six load cells with 600 Ω each or four load cells with 350 Ω each</li> </ul>
Measuring principle	Measuring amplifier: Delta-Sigma converter Measurement time: min. 10 ms–max. 1920 ms
Sensitivity	Internal: 7.5 nV (~ 4.8 million parts) Usable resolution: 0.2 μV/d
Input signal	0 to 36 mV (for 100% maximum capacity)
Linearity	< 0.002%
Temperature effect	Zero point TK <sub>0m</sub> : < 0.02 μV/K RTI Measuring range TK <sub>span</sub> : < ± 2 ppm/K
Digital filter for load cell connection	4th order (low pass), Bessel, aperiodic or Butterworth
USB interface	Implementation: USB 1.1, type B Function: configuration on the PC via ConfigureIT!
Analogue output (PR 5211/00, ../10)	<ul style="list-style-type: none"> <li>– 0/4...20 mA,</li> <li>– Internal resolution 16 bit</li> <li>– Usable step width 0.5 μA</li> <li>– Load impedance 500 Ω max.</li> <li>– Function freely configurable</li> </ul>
Serial Interface RS485	Implementation: screw terminals for up to 2.5 mm <sup>2</sup> , plug-in, Phoenix/COMBICON system Protocol: remote display, SMA
Profibus DP interface (PR 5211/00, ../11)	12 Mbit, DP-V0 IEC 61158 Type 3 and IEC 61784
Ambient temperature range	Operation: -10...+55°C Storage: -40...+70°C
Packaging dimensions	210 × 140 × 65 mm
Weight	Net: 0.29 kg
Certificates	CE

# Technical diagrams

## Weight transmitter PR 5211



## Ordering information

Weight transmitter PR 5211		
Type	Description	Order number
PR 5211/00	Profibus DP, analogue output, 3 digital inputs/outputs, serial interface RS232	940515211001
PR 5211/10	Analogue output, 3 digital inputs/outputs, serial interface RS232	940515211101
PR 5211/11	Profibus DP, 3 digital inputs/outputs, serial interface RS232	940515211111

The products and solutions presented in this data sheet make major contributions in the following sectors:



Food and beverages



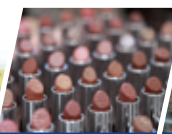
Pharmaceutical



Chemistry



Agribusiness



Cosmetics



Building materials



Machinery (OEM)

The technical data given serves as a product description only and should not be understood as guaranteed properties in the legal sense.

Specifications subject to change without notice.  
Rev. 08/2018

Minebea Intec GmbH  
Meiendorfer Straße 205 A  
22145 Hamburg, Germany  
Phone +49.40.67960.303  
sales.hh@minebea-intec.com  
www.minebea-intec.com